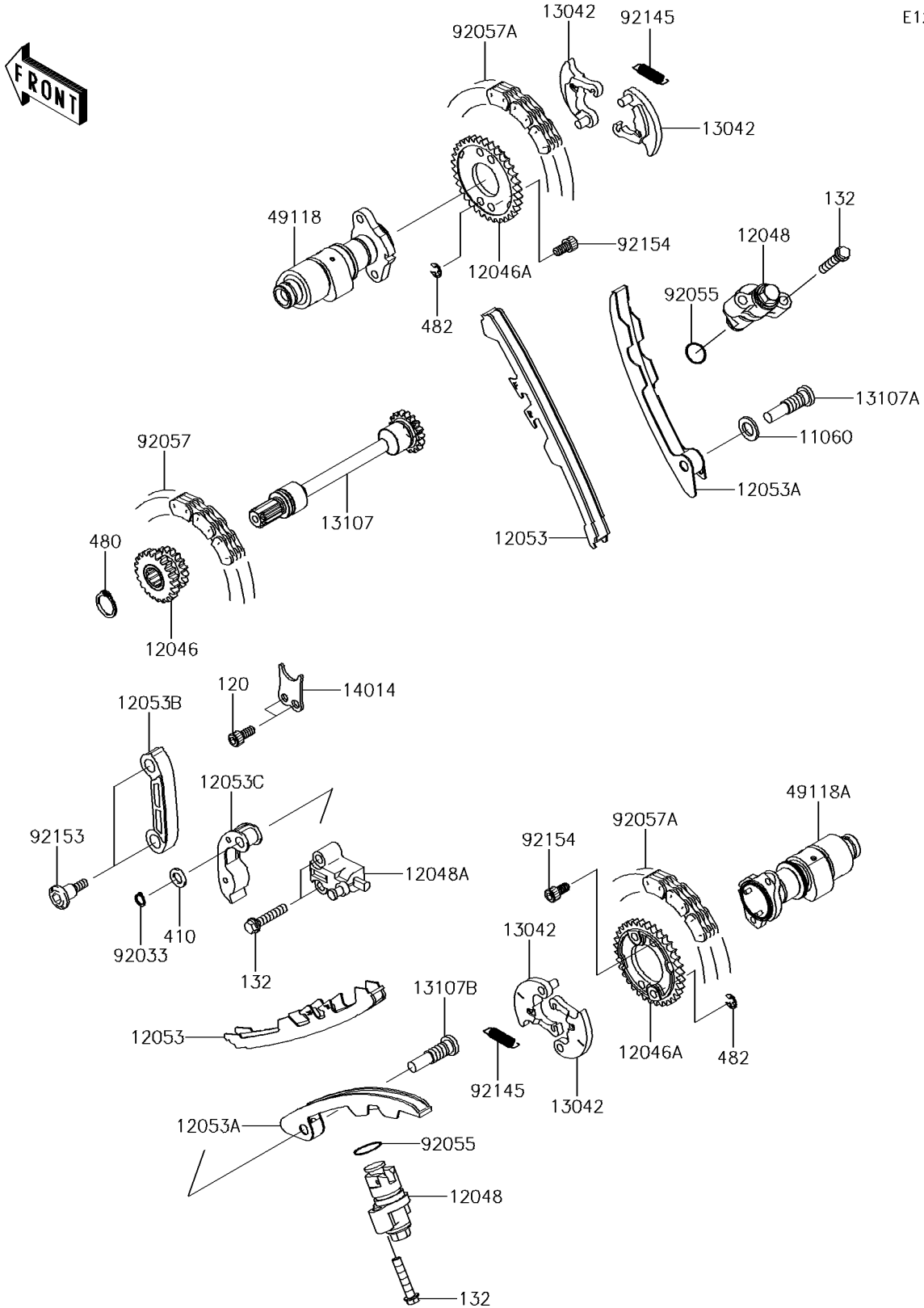


2018 TERYX4™ LE CAMO PARTS DIAGRAM

Camshaft(s)/Tensioner

E1230



2018 TERYX4™ LE CAMO PARTS LIST

Camshaft(s)/Tensioner

| ITEM NAME | PART NUMBER | QUANTITY |
|--|-------------|----------|
| GASKET (Ref # 11060) | 11060-1966 | 1 |
| SPROCKET,21T&17T (Ref # 12046) | 12046-0559 | 1 |
| SPROCKET,CAMSHAFT,34T (Ref # 12046A) | 12046-0568 | 2 |
| TENSIONER-ASSY,CAM (Ref # 12048) | 12048-1176 | 2 |
| TENSIONER-ASSY,SECONDARY (Ref # 12048A) | 12048-1177 | 1 |
| GUIDE-CHAIN,CAMSHAFT,TENSION (Ref # 12053) | 12053-1441 | 2 |
| GUIDE-CHAIN,CAMSHAFT,SLACK (Ref # 12053A) | 12053-1442 | 2 |
| GUIDE-CHAIN,TENSION (Ref # 12053B) | 12053-1443 | 1 |
| GUIDE-CHAIN,SLACK (Ref # 12053C) | 12053-1444 | 1 |
| WEIGHT,DECOMP (Ref # 13042) | 13042-1141 | 4 |
| SHAFT (Ref # 13107) | 13107-0761 | 1 |
| SHAFT,CHAIN GUIDE,FR (Ref # 13107A) | 13107-1443 | 1 |
| SHAFT,CHAIN GUIDE,RR (Ref # 13107B) | 13107-1444 | 1 |
| PLATE-POSITION,DRIVE (Ref # 14014) | 14014-0050 | 1 |
| CAMSHAFT-COMP,FR (Ref # 49118) | 49118-0787 | 1 |
| CAMSHAFT-COMP,RR (Ref # 49118A) | 49118-0788 | 1 |
| RING-SNAP,8MM (Ref # 92033) | 92033-1039 | 1 |
| RING-O,18.8X1.9 (Ref # 92055) | 92055-086 | 2 |
| CHAIN,DID SCR-0412 SV (Ref # 92057) | 92057-0186 | 1 |
| CHAIN,DID SCR-0409 SV (Ref # 92057A) | 92057-0187 | 2 |
| SPRING,DECOMP (Ref # 92145) | 92145-0913 | 2 |
| BOLT,SOCKET,6X24.5 (Ref # 92153) | 92153-1200 | 2 |
| BOLT,SOCKET,6X12 (Ref # 92154) | 92154-1820 | 4 |
| BOLT-SOCKET,6X14 (Ref # 120) | 120CB0614 | 2 |
| BOLT-FLANGED-SMALL,6X30 (Ref # 132) | 132BA0630 | 6 |
| WASHER-PLAIN-SMALL,8MM (Ref # 410) | 410AA0800 | 1 |
| CIRCLIP-TYPE-C,14MM (Ref # 480) | 480J1400 | 1 |
| CIRCLIP-TYPE-E,5MM (Ref # 482) | 482J5000 | 4 |