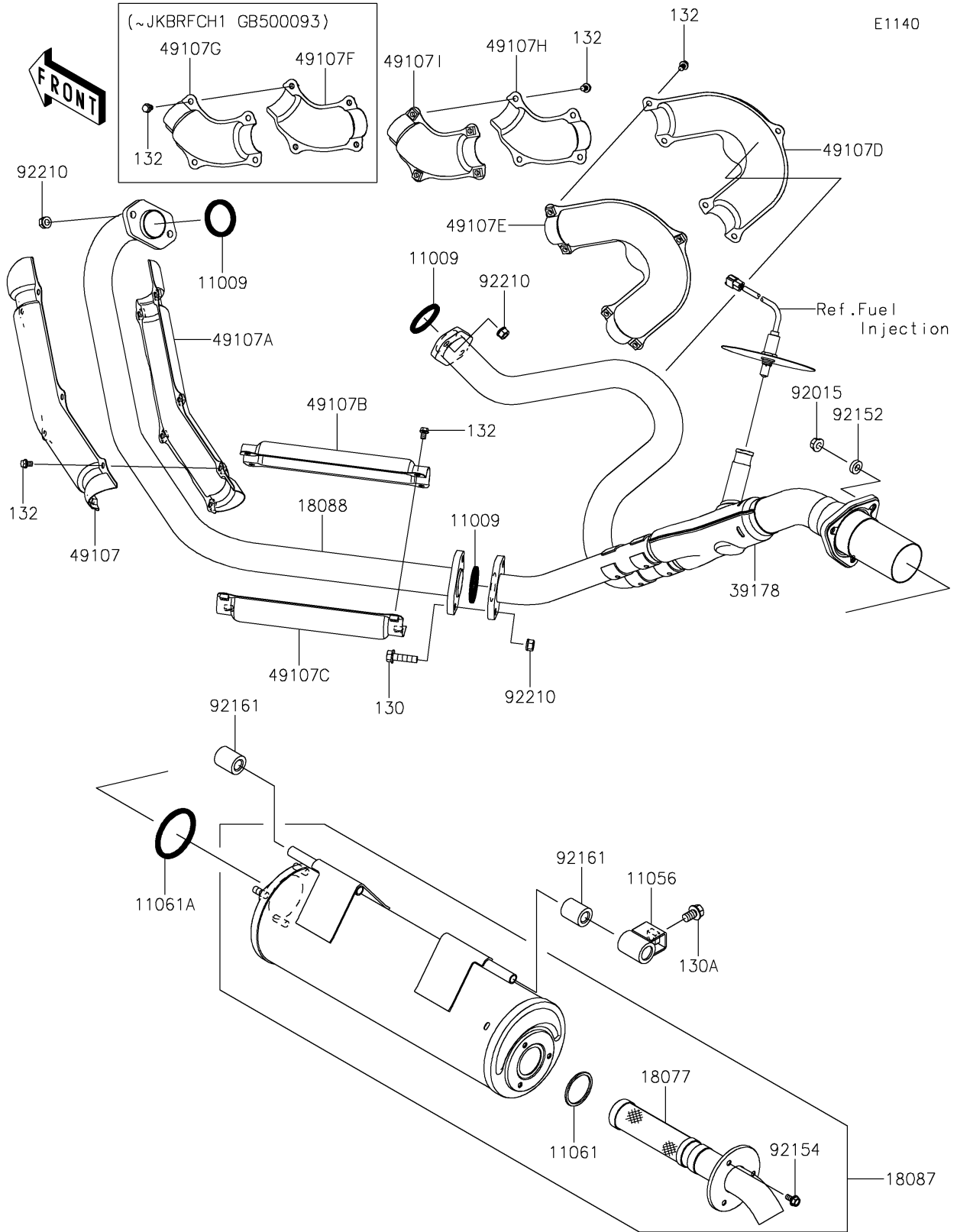


2019 TERYX® CAMO PARTS DIAGRAM

Muffler(s)



2019 TERYX® CAMO PARTS LIST

Muffler(s)

| ITEM NAME | PART NUMBER | QUANTITY |
|--|-------------|----------|
| GASKET,EXHAUST PIPE (Ref # 11009) | 11009-1992 | 3 |
| BRACKET (Ref # 11056) | 11056-0727 | 1 |
| GASKET,38.9X46.4X3.0 (Ref # 11061) | 11061-0082 | 1 |
| GASKET,PIPE-MUFFLER (Ref # 11061A) | 11061-0811 | 1 |
| ARRESTER-SPARK (Ref # 18077) | 18077-0036 | 1 |
| MUFFLER (Ref # 18087) | 18087-0326 | 1 |
| PIPE-EXHAUST (Ref # 18088) | 18088-0837 | 1 |
| MANIFOLD-COMP-EXHAUST (Ref # 39178) | 39178-0190 | 1 |
| COVER-EXHAUST PIPE,FR,LH (Ref # 49107) | 49107-0753 | 1 |
| COVER-EXHAUST PIPE,FR,RH (Ref # 49107A) | 49107-0754 | 1 |
| COVER-EXHAUST PIPE,RR,UPP (Ref # 49107B) | 49107-0755 | 1 |
| COVER-EXHAUST PIPE,RR,LWR (Ref # 49107C) | 49107-0756 | 1 |
| COVER-EXHAUST MANIFOLD,RH (Ref # 49107D) | 49107-0757 | 1 |
| COVER-EXHAUST MANIFOLD,LH (Ref # 49107E) | 49107-0758 | 1 |
| COVER-EXHAUST PIPE,RH (Ref # 49107H) | 49107-0797 | 1 |
| COVER-EXHAUST PIPE,LH (Ref # 49107I) | 49107-0798 | 1 |
| NUT,8MM (Ref # 92015) | 92015-1402 | 3 |
| COLLAR,8.2X17X4.5 (Ref # 92152) | 92152-1609 | 3 |
| BOLT,FLANGED,6X12 (Ref # 92154) | 92154-0852 | 3 |
| DAMPER (Ref # 92161) | 92161-0961 | 2 |
| NUT,8MM (Ref # 92210) | 92210-1242 | 6 |
| BOLT-FLANGED,8X30 (Ref # 130) | 130BD0830 | 2 |
| BOLT-FLANGED,10X16 (Ref # 130A) | 130CA1016 | 1 |
| BOLT-FLANGED-SMALL,6X8 (Ref # 132) | 132BD0608 | 19 |