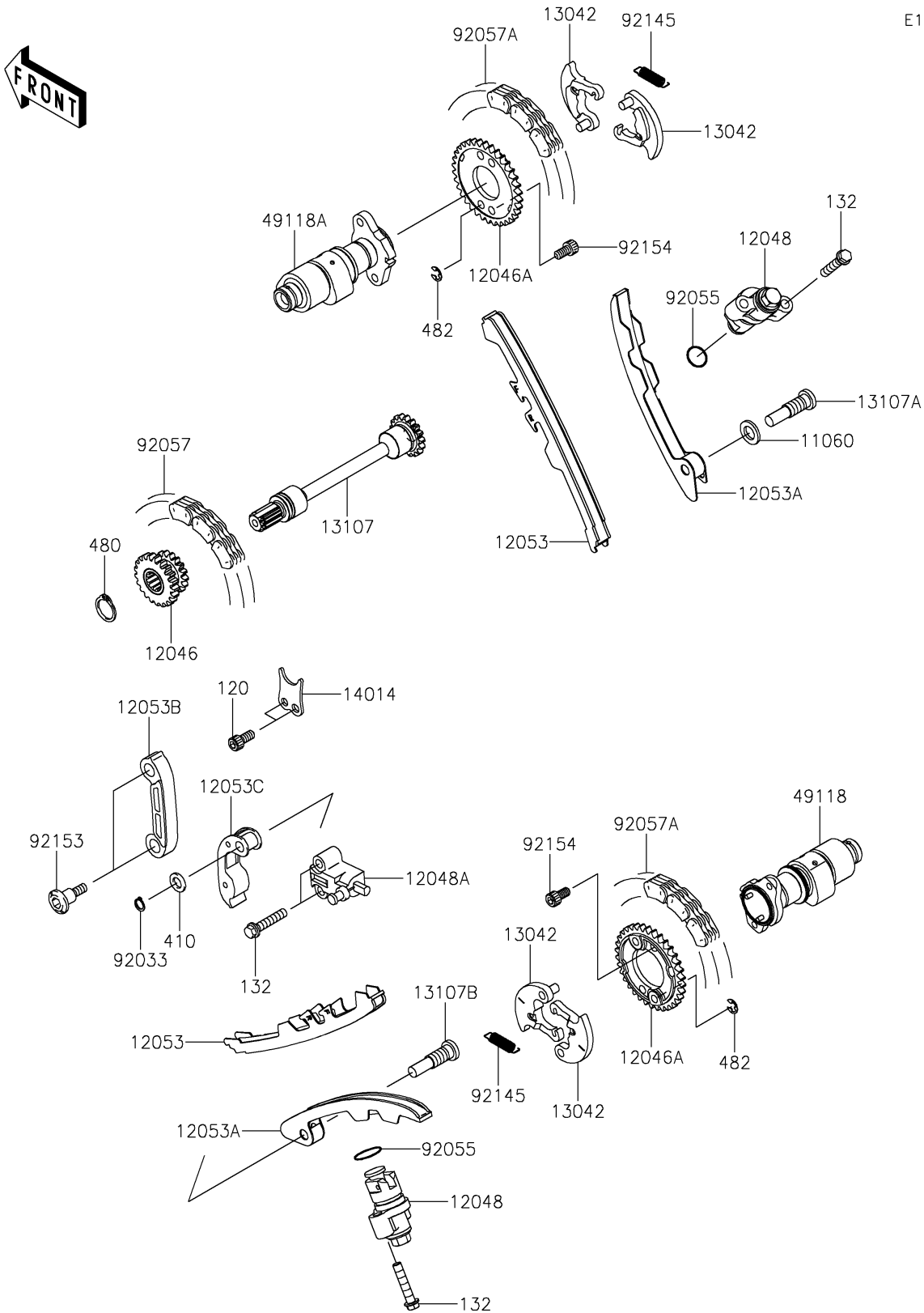


# 2016 TERYX® CAMO PARTS DIAGRAM

Camshaft(s)/Tensioner

E1230



## 2016 TERYX® CAMO PARTS LIST

### Camshaft(s)/Tensioner

ITEM NAME	PART NUMBER	QUANTITY
GASKET (Ref # 11060)	11060-1966	1
SPROCKET,21T&17T (Ref # 12046)	12046-0559	1
SPROCKET,CAMSHAFT,34T (Ref # 12046A)	12046-0568	2
TENSIONER-ASSY,CAM (Ref # 12048)	12048-1176	2
TENSIONER-ASSY,SECONDARY (Ref # 12048A)	12048-1177	1
GUIDE-CHAIN,CAMSHAFT,TENSION (Ref # 12053)	12053-1441	2
GUIDE-CHAIN,CAMSHAFT,SLACK (Ref # 12053A)	12053-1442	2
GUIDE-CHAIN,TENSION (Ref # 12053B)	12053-1443	1
GUIDE-CHAIN,SLACK (Ref # 12053C)	12053-1444	1
WEIGHT,DECOMP (Ref # 13042)	13042-1141	4
SHAFT (Ref # 13107)	13107-0761	1
SHAFT,CHAIN GUIDE,FR (Ref # 13107A)	13107-1443	1
SHAFT,CHAIN GUIDE,RR (Ref # 13107B)	13107-1444	1
PLATE-POSITION,DRIVE (Ref # 14014)	14014-0050	1
CAMSHAFT-COMP,RR (Ref # 49118)	49118-0788	1
CAMSHAFT-COMP,FR (Ref # 49118A)	49118-0939	1
RING-SNAP,8MM (Ref # 92033)	92033-1039	1
RING-O,18.8X1.9 (Ref # 92055)	92055-086	2
CHAIN,DID SCR-0412 SV (Ref # 92057)	92057-0186	1
CHAIN,DID SCR-0409 SV (Ref # 92057A)	92057-0187	2
SPRING,DECOMP (Ref # 92145)	92145-0913	2
BOLT,SOCKET,6X24.5 (Ref # 92153)	92153-1200	2
BOLT,SOCKET,6X12 (Ref # 92154)	92154-1820	4
BOLT-SOCKET,6X14 (Ref # 120)	120CB0614	2
BOLT-FLANGED-SMALL,6X30 (Ref # 132)	132BA0630	6
WASHER-PLAIN-SMALL,8MM (Ref # 410)	410AA0800	1
CIRCLIP-TYPE-C,14MM (Ref # 480)	480J1400	1
CIRCLIP-TYPE-E,5MM (Ref # 482)	482J5000	4