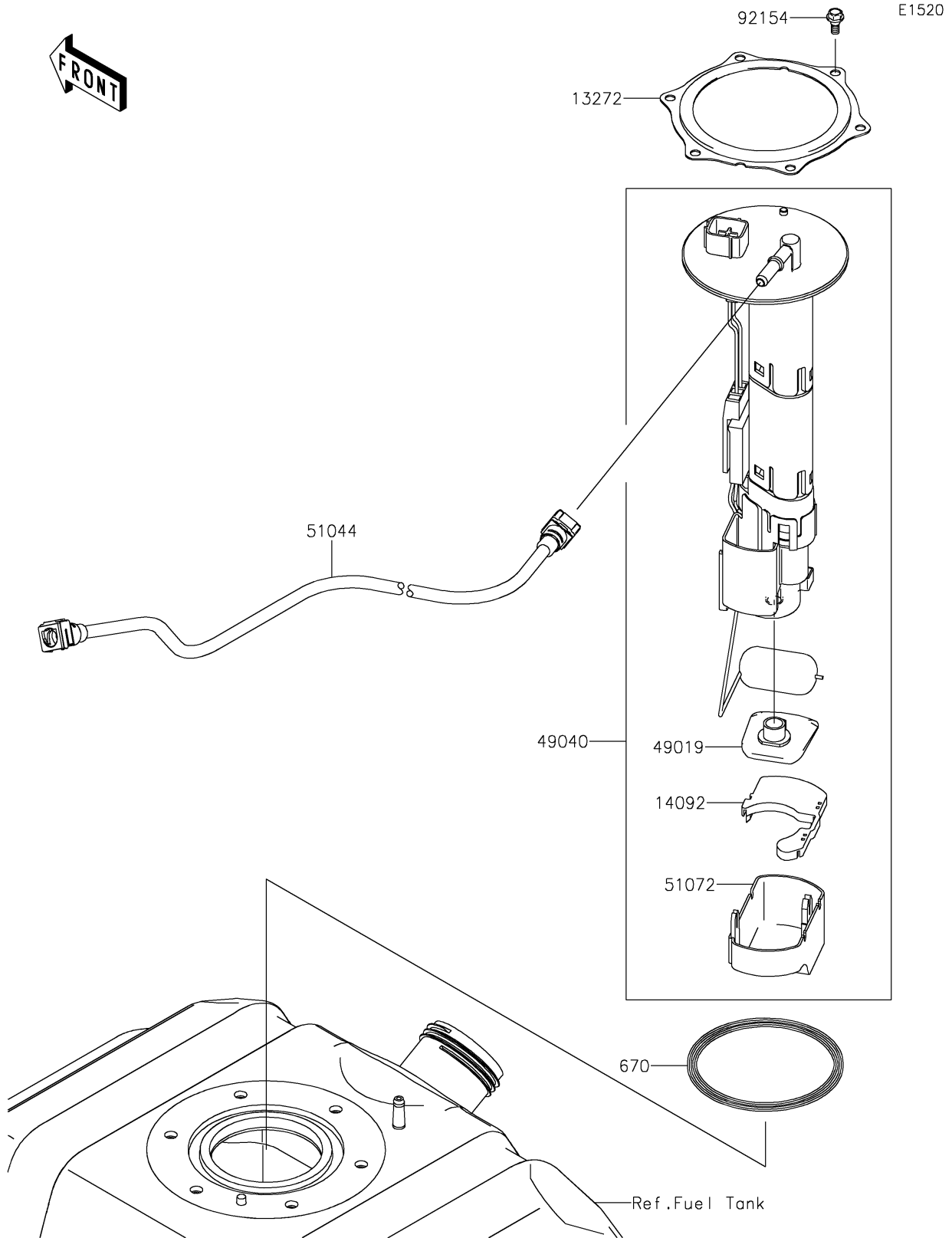


2019 TERYX® CAMO PARTS DIAGRAM

Fuel Pump



2019 TERYX® CAMO PARTS LIST

Fuel Pump

ITEM NAME	PART NUMBER	QUANTITY
PLATE (Ref # 13272)	13272-2500	1
COVER (Ref # 14092)	14092-1044	1
FILTER-FUEL (Ref # 49019)	49019-0013	1
PUMP-FUEL (Ref # 49040)	49040-0716	1
TUBE-ASSY (Ref # 51044)	51044-0811	1
CHAMBER-FUEL (Ref # 51072)	51072-0003	1
BOLT,FUEL PUMP (Ref # 92154)	92154-1326	6
O RING (Ref # 670)	670E5090	1