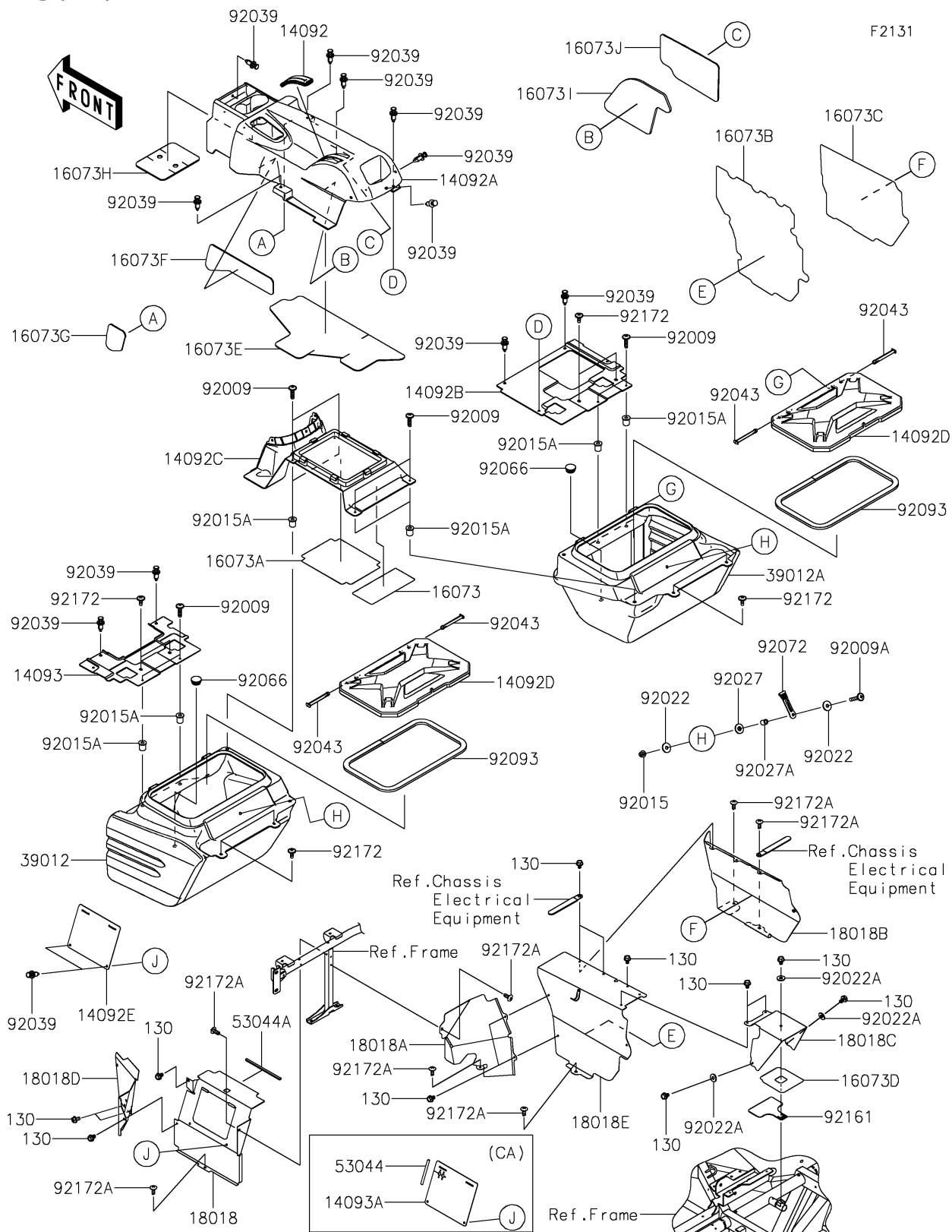


# 2017 TERYX® CAMO PARTS DIAGRAM

## Frame Fittings(Rear)



## 2017 TERYX® CAMO PARTS LIST

### Frame Fittings(Rear)

ITEM NAME	PART NUMBER	QUANTITY
COVER,CENTER CONSOLE,TOP (Ref # 14092)	14092-0791	1
COVER,CENTER CONSOLE (Ref # 14092A)	14092-1056	1
COVER,RR SIDE,RH (Ref # 14092B)	14092-1070	1
COVER,RR CONSOLE (Ref # 14092C)	14092-1071	1
COVER,RR STORAGE (Ref # 14092D)	14092-1072	2
COVER,MAINTENANCE (Ref # 14092E)	14092-1136	1
COVER,RR SIDE,LH (Ref # 14093)	14093-0063	1
INSULATOR,RR,115X255 (Ref # 16073)	16073-0791	1
INSULATOR,FR,225X290 (Ref # 16073A)	16073-0792	1
INSULATOR,RR TUNNEL,LH (Ref # 16073B)	16073-0795	1
INSULATOR,RR TUNNEL,RH (Ref # 16073C)	16073-0796	1
INSULATOR,RR TUNNEL,RR (Ref # 16073D)	16073-0797	1
INSULATOR,CENTER CONSOLE (Ref # 16073E)	16073-0800	1
INSULATOR,CENTER CONSOLE (Ref # 16073F)	16073-0801	1
INSULATOR,CENTER CONSOLE (Ref # 16073G)	16073-0802	1
INSULATOR,CENTER CONSOLE (Ref # 16073H)	16073-0803	1
INSULATOR,CENTER CONSOLE (Ref # 16073I)	16073-0804	1
INSULATOR,CENTER CONSOLE (Ref # 16073J)	16073-0805	1
PLATE-HEAT GUARD,LH UD SEAT,FR (Ref # 18018)	18018-0042	1
PLATE-HEAT GUARD,LH UD SEAT,RR (Ref # 18018A)	18018-0043	1
PLATE-HEAT GUARD,RR TUNNEL,RH (Ref # 18018B)	18018-0045	1
PLATE-HEAT GUARD,RR TUNNEL,RR (Ref # 18018C)	18018-0047	1
PLATE-HEAT GUARD,DRIVER (Ref # 18018D)	18018-0596	1
PLATE-HEAT GUARD,RR TUNNEL,LH (Ref # 18018E)	18018-0599	1
CASE-STORAGE,RR,LH (Ref # 39012)	39012-0035	1
CASE-STORAGE,RR,RH (Ref # 39012A)	39012-0036	1
TRIM,L=200 (Ref # 53044A)	53044-0573	1
SCREW,6X25 (Ref # 92009)	92009-1465	8
SCREW,6X35 (Ref # 92009A)	92009-1672	2

## 2017 TERYX® CAMO PARTS LIST

### Frame Fittings(Rear)

ITEM NAME	PART NUMBER	QUANTITY
NUT,LOCK,FLANGED,6MM (Ref # 92015)	92015-1339	2
NUT (Ref # 92015A)	92015-1700	8
WASHER,6.5X20X1.6 (Ref # 92022)	92022-125	4
WASHER (Ref # 92022A)	92022-2247	3
COLLAR,L=5.1 (Ref # 92027)	92027-1260	2
COLLAR,6.8X10X12 (Ref # 92027A)	92027-162	2
RIVET (Ref # 92039)	92039-0776	14
PIN (Ref # 92043)	92043-0852	4
PLUG (Ref # 92066)	92066-1306	2
BAND (Ref # 92072)	92072-0144	2
SEAL (Ref # 92093)	92093-0605	2
DAMPER,RR TUNNEL (Ref # 92161)	92161-1577	1
SCREW,6X16 (Ref # 92172)	92172-0711	8
SCREW,TAPPING,6X16 (Ref # 92172A)	92172-0739	7
BOLT-FLANGED,6X10 (Ref # 130)	130AA0610	14