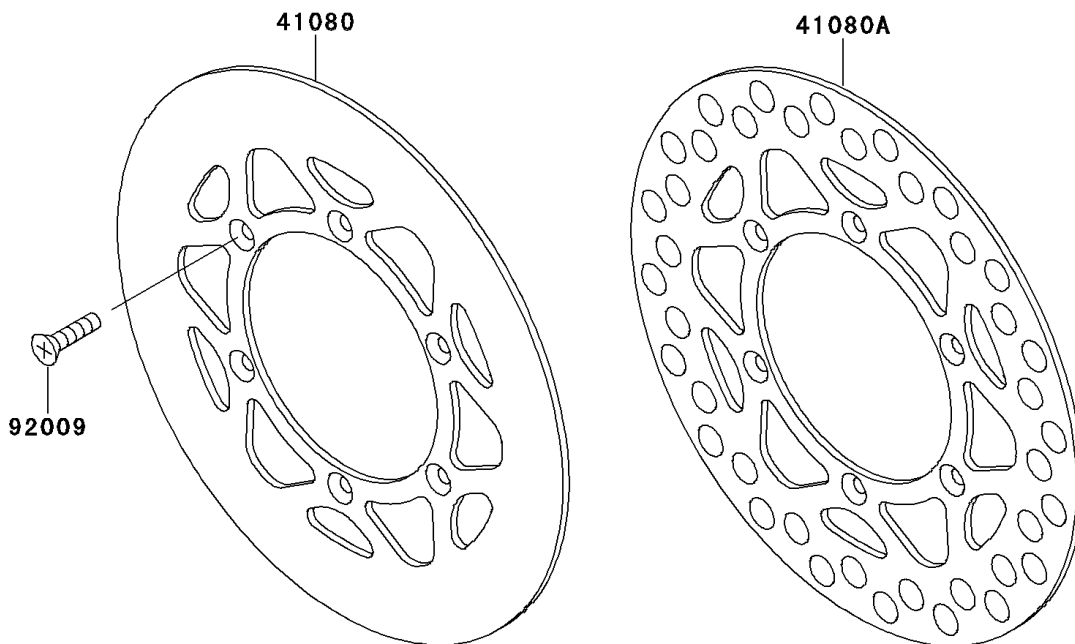
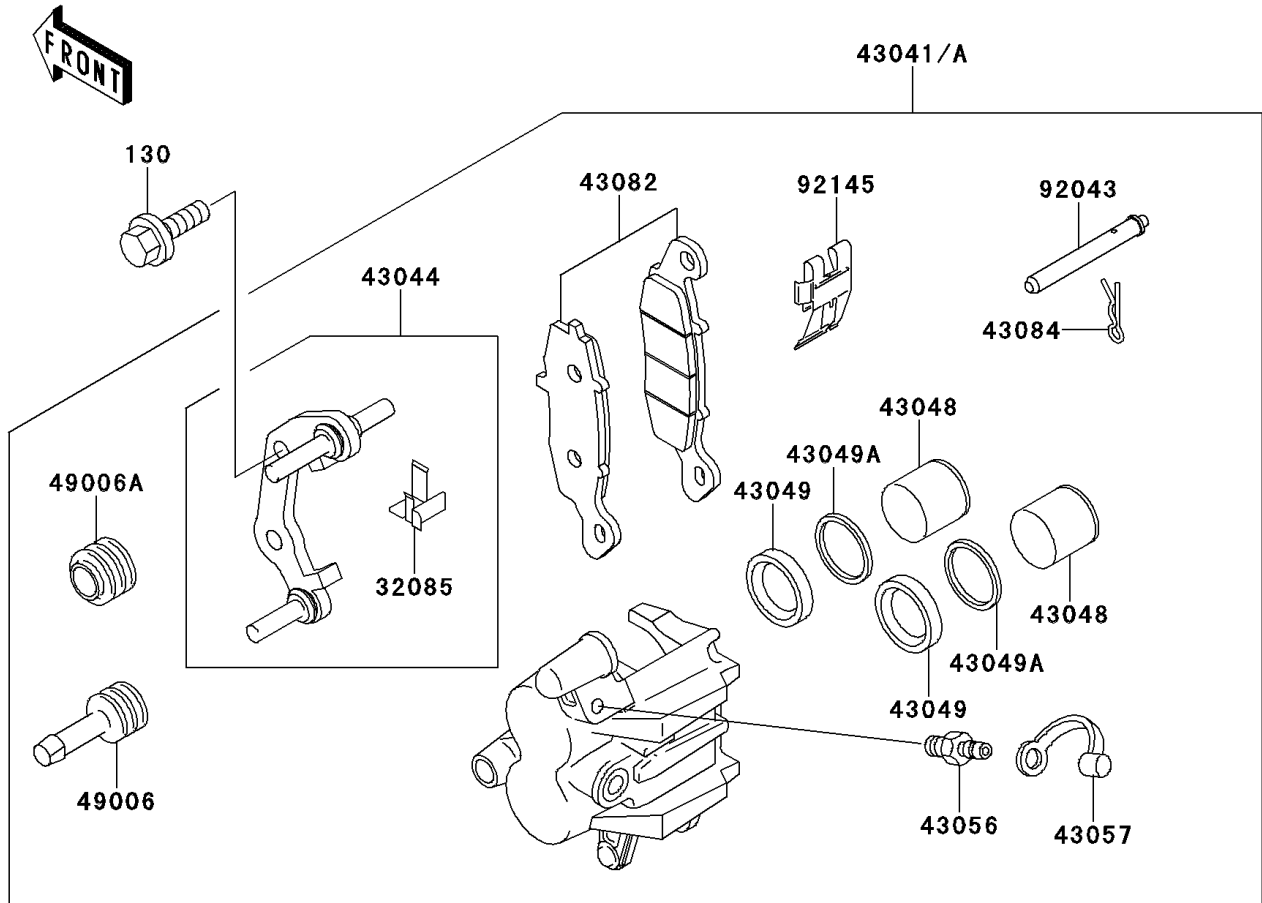


2000 KX80 PARTS DIAGRAM

Front Brake

F2292



2000 KX80 PARTS LIST

Front Brake

| ITEM NAME | PART NUMBER | QUANTITY |
|--|---------------|----------|
| BOLT-FLANGED (Ref # 130) | 130P0840 | 2 |
| STOPPER (Ref # 32085) | 32085-1437 | 1 |
| DISC,FR (Ref # 41080) | 41080-1330 | 1 |
| DISC,FR (Ref # 41080A) | 41080-1335 | 1 |
| CALIPER-ASSY,FR,LH,SILVER (Ref # 43041A) | 43041-1681-GN | 1 |
| HOLDER-COMP-CALIPER,FR (Ref # 43044) | 43044-1119 | 1 |
| PISTON-CALIPER (Ref # 43048) | 43048-1083 | 2 |
| PACKING,PISTON (Ref # 43049) | 43049-1058 | 2 |
| PACKING,PISTON (Ref # 43049A) | 43049-1059 | 2 |
| BREATHER-BRAKE (Ref # 43056) | 43056-1054 | 1 |
| CAP-BREATHER (Ref # 43057) | 43057-003 | 1 |
| PAD-ASSY-BRAKE (Ref # 43082) | 43082-1196 | 1 |
| CLAMP,PAD (Ref # 43084) | 43084-003 | 1 |
| BOOT,CALIPER (Ref # 49006) | 49006-1054 | 1 |
| BOOT,CALIPER (Ref # 49006A) | 49006-1055 | 1 |
| SCREW,6X10 (Ref # 92009) | 92009-1375 | 6 |
| PIN,PAD (Ref # 92043) | 92043-1356 | 1 |
| SPRING,PAD (Ref # 92145) | 92145-1260 | 1 |