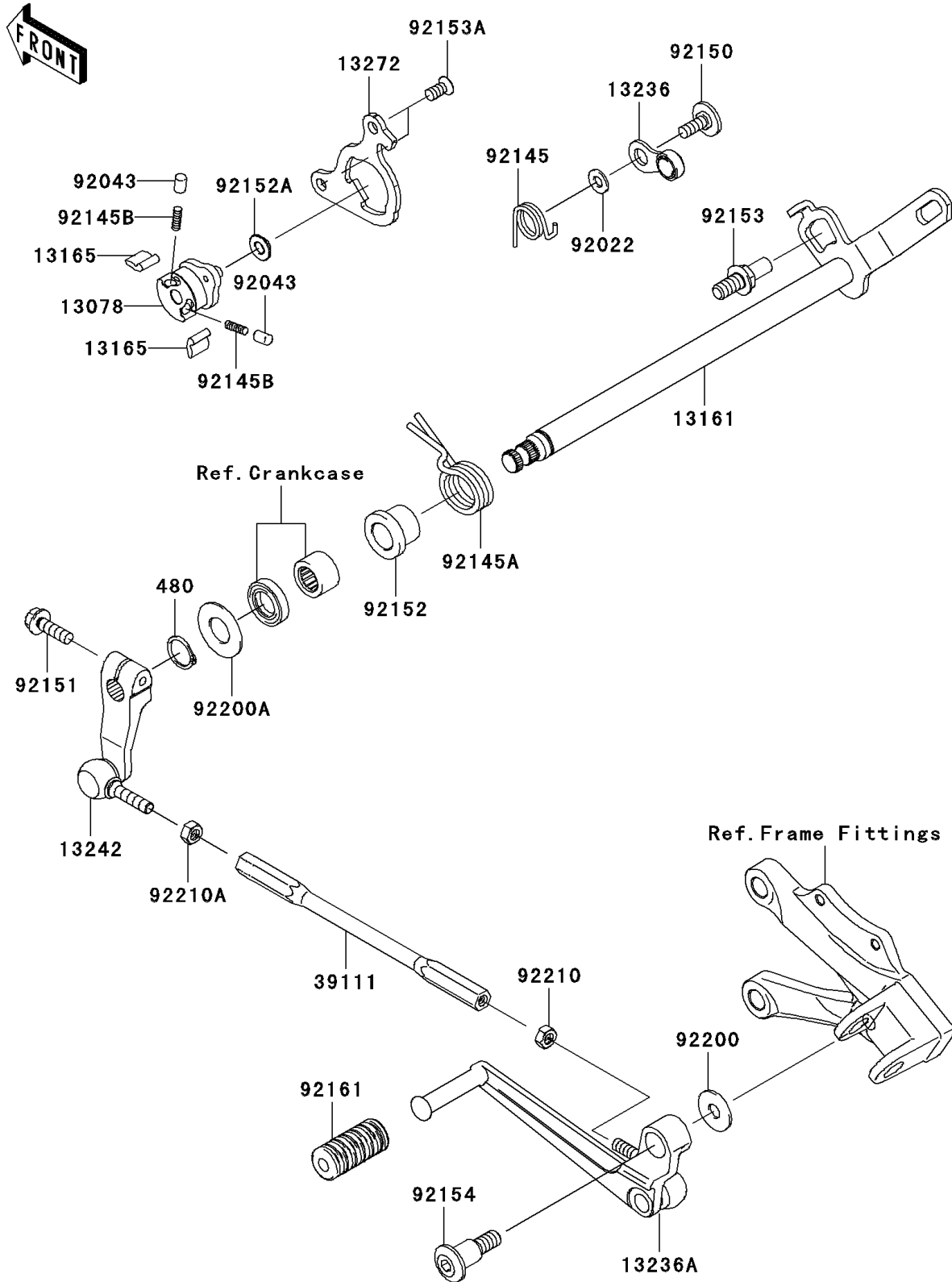


# 2008 Ninja® ZX™-10R PARTS DIAGRAM

## Gear Change Mechanism

E1370



## 2008 Ninja® ZX™-10R PARTS LIST

### Gear Change Mechanism

ITEM NAME	PART NUMBER	QUANTITY
RATCHET (Ref # 13078)	13078-0012	1
LEVER-COMP-CHANGE SHAFT (Ref # 13161)	13161-0071	1
PAWL (Ref # 13165)	13165-0018	2
LEVER-COMP,POSITION (Ref # 13236)	13236-0141	1
LEVER-COMP,CHANGE PEDAL (Ref # 13236A)	13236-0148	1
LEVER-ASSY-CHANGE (Ref # 13242)	13242-0052	1
PLATE,PAWL GUIDE (Ref # 13272)	13272-0576	1
ROD-TIE,L=170 (Ref # 39111)	39111-0054	1
WASHER,6X12.8X1.2 (Ref # 92022)	92022-1827	1
PIN,PLUNGER (Ref # 92043)	92043-1676	2
SPRING (Ref # 92145)	92145-0629	1
SPRING (Ref # 92145A)	92145-0631	1
SPRING (Ref # 92145B)	92145-1490	2
BOLT,SOCKET,6X16 (Ref # 92150)	92150-1673	1
BOLT,FLANGED,6X20 (Ref # 92151)	92151-1226	1
COLLAR (Ref # 92152)	92152-0720	1
COLLAR (Ref # 92152A)	92152-1414	1
BOLT,RETURN SPRING (Ref # 92153)	92153-0421	1
BOLT,TORX,6X8.7 (Ref # 92153A)	92153-1669	2
BOLT,SOCKET,8X32 (Ref # 92154)	92154-0112	1
DAMPER,CHANGE PEDAL (Ref # 92161)	92161-1300	1
WASHER,8.0X22.0X1.5 (Ref # 92200)	92200-0174	1
WASHER (Ref # 92200A)	92200-0265	1
NUT,6MM (Ref # 92210)	92210-1100	1
NUT,LEFT HANDED,6MM (Ref # 92210A)	92210-1101	1
CIRCLIP-TYPE-C,14MM (Ref # 480)	480J1400	1