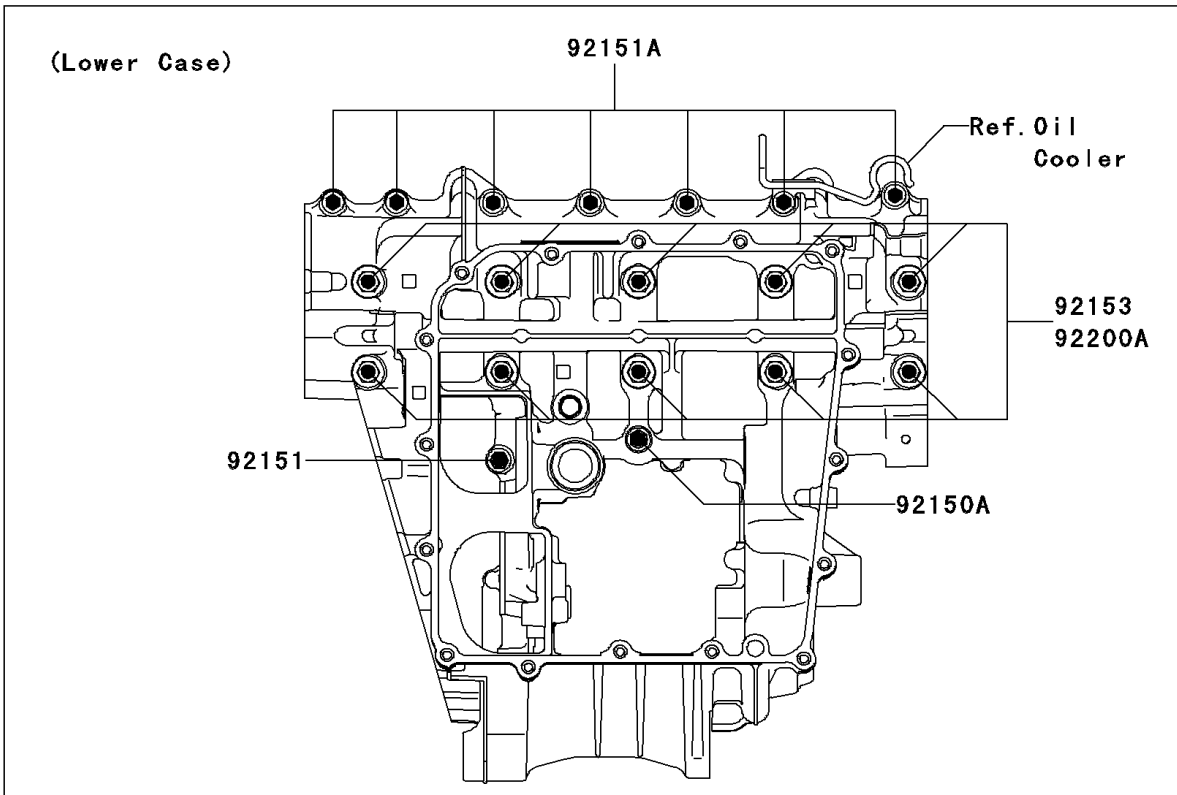
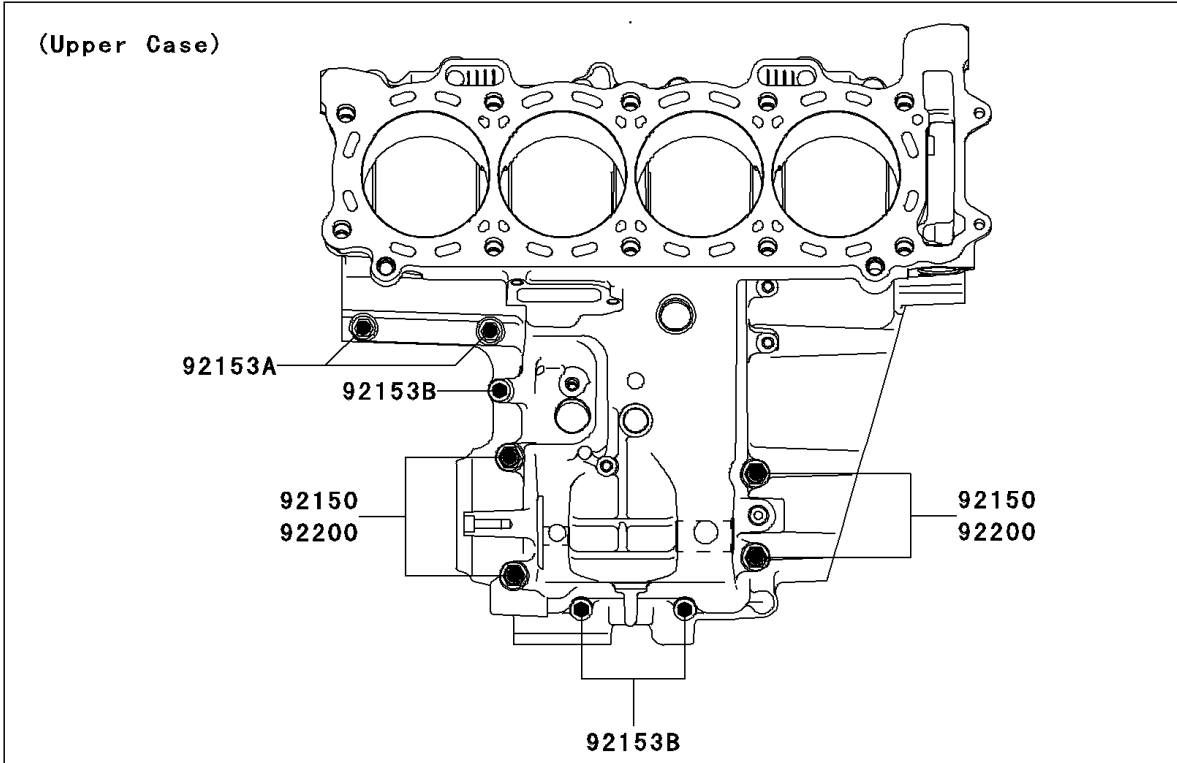


2009 Ninja® ZX™-10R PARTS DIAGRAM

Crankcase Bolt Pattern

E1412



2009 Ninja® ZX™-10R PARTS LIST

Crankcase Bolt Pattern

ITEM NAME	PART NUMBER	QUANTITY
BOLT,8X80 (Ref # 92150)	92150-1162	4
BOLT,FLANGED,7X85 (Ref # 92150A)	92150-1251	1
BOLT,FLANGED,7X50 (Ref # 92151)	92151-1223	1
BOLT,FLANGED,6X45 (Ref # 92151A)	92151-1521	7
BOLT,FLANGED,9X100 (Ref # 92153)	92153-0447	10
BOLT,FLANGED,7X32 (Ref # 92153A)	92153-0448	2
BOLT-FLANGED,6X40 (Ref # 92153B)	92153-1570	3
WASHER,8.2X16X1.6 (Ref # 92200)	92200-0047	4
WASHER,9.2X19X23 (Ref # 92200A)	92200-0115	10