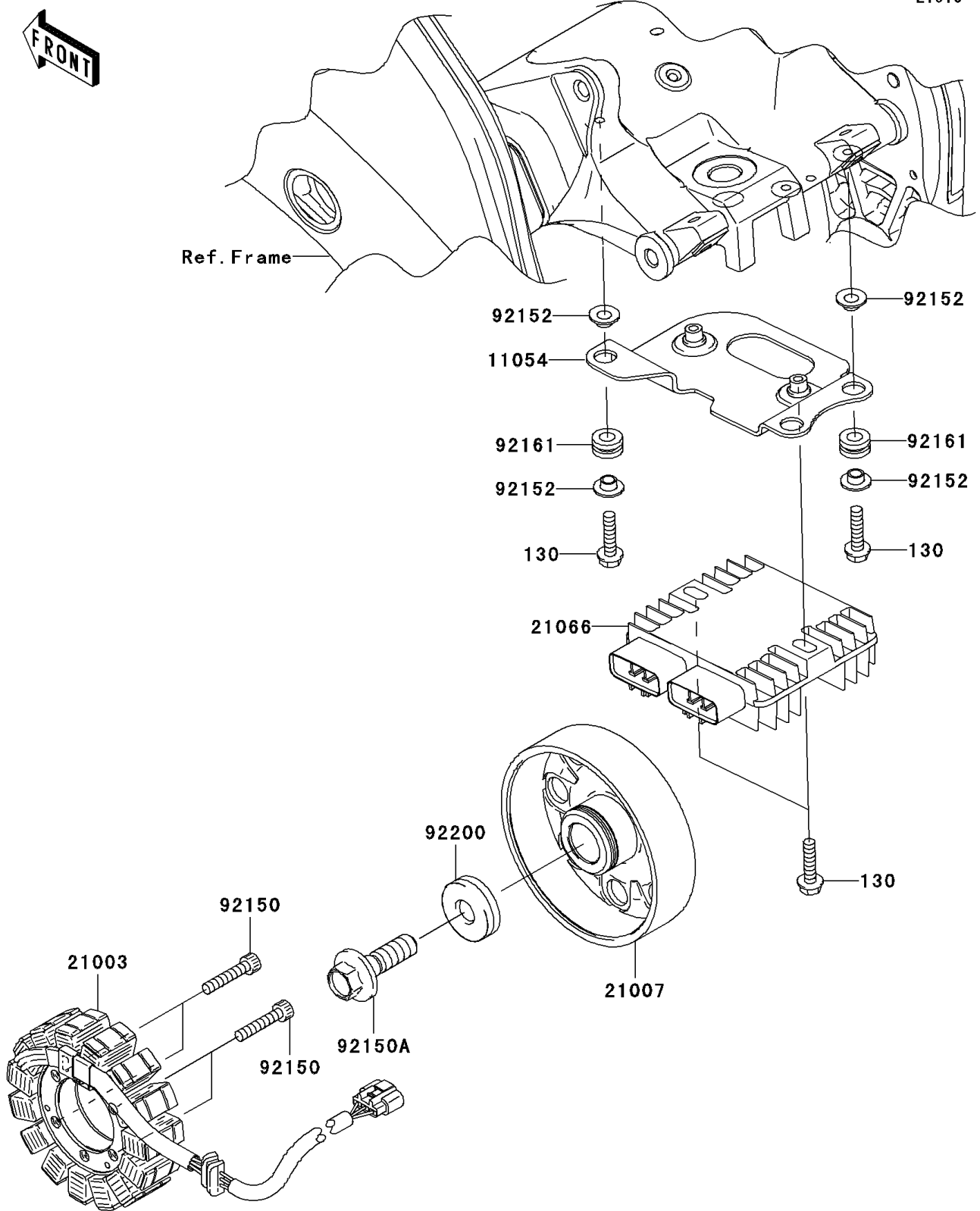


# 2008 Ninja® ZX™-10R PARTS DIAGRAM

Generator

E1810



## 2008 Ninja® ZX™-10R PARTS LIST

### Generator

ITEM NAME	PART NUMBER	QUANTITY
BRACKET,REGULATOR (Ref # 11054)	11054-1960	1
STATOR (Ref # 21003)	21003-0072	1
ROTOR (Ref # 21007)	21007-0117	1
REGULATOR-VOLTAGE (Ref # 21066)	21066-0028	1
BOLT,SOCKET,6X30 (Ref # 92150)	92150-1433	4
BOLT,12X40 (Ref # 92150A)	92150-1717	1
COLLAR (Ref # 92152)	92152-0718	6
DAMPER (Ref # 92161)	92161-0056	3
WASHER,12X34X9 (Ref # 92200)	92200-0369	1
BOLT-FLANGED,6X22 (Ref # 130)	130BB0622	5