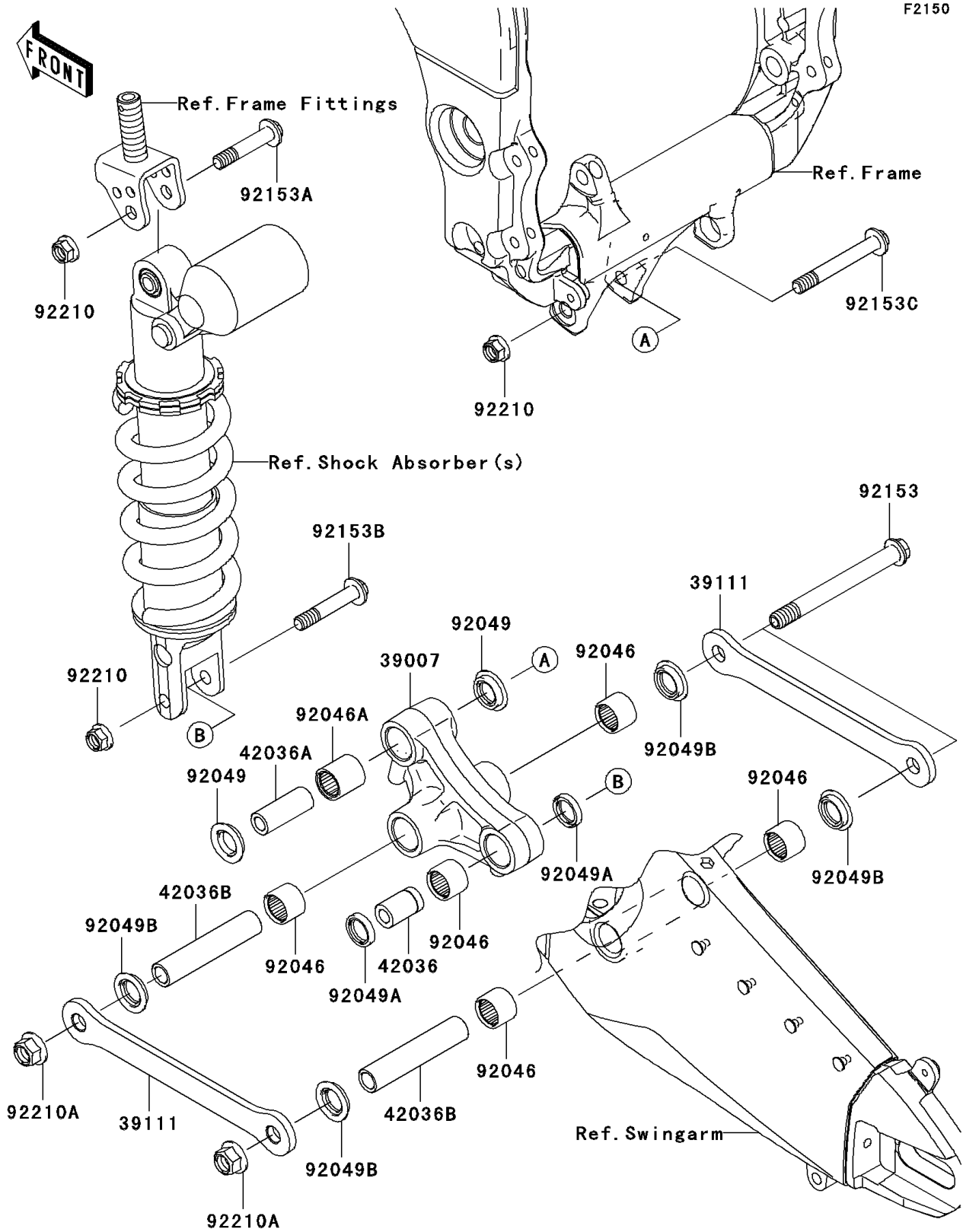


2008 Ninja® ZX™-10R PARTS DIAGRAM

Rear Suspension



2008 Ninja® ZX™-10R PARTS LIST

Rear Suspension

| ITEM NAME | PART NUMBER | QUANTITY |
|---|-------------|----------|
| ARM-SUSP,UNI TRAK (Ref # 39007) | 39007-0006 | 1 |
| ROD-TIE,SUSPENSION (Ref # 39111) | 39111-0057 | 2 |
| SLEEVE,10.1X18X30 (Ref # 42036) | 42036-1258 | 1 |
| SLEEVE,10.1X17X44.5 (Ref # 42036A) | 42036-1342 | 1 |
| SLEEVE,12.1X18X90 (Ref # 42036B) | 42036-1360 | 2 |
| BEARING-NEEDLE,SFYZM182417 (Ref # 92046) | 92046-1272 | 5 |
| BEARING-NEEDLE,SFYZM172425 (Ref # 92046A) | 92046-1273 | 1 |
| SEAL-OIL,MHA17245.7F (Ref # 92049) | 92049-1223 | 2 |
| SEAL-OIL,MHA18244 (Ref # 92049A) | 92049-1225 | 2 |
| SEAL-OIL,KCR MF018N1 (Ref # 92049B) | 92049-1493 | 4 |
| BOLT,FLANGED,12X117 (Ref # 92153) | 92153-0508 | 2 |
| BOLT,FLANGED,10X51 (Ref # 92153A) | 92153-1545 | 1 |
| BOLT,FLANGED,10X55 (Ref # 92153B) | 92153-1546 | 1 |
| BOLT,FLANGED,10X77 (Ref # 92153C) | 92153-1547 | 1 |
| NUT,LOCK,FLANGED,10MM (Ref # 92210) | 92210-0321 | 3 |
| NUT,LOCK,FLANGED,12MM (Ref # 92210A) | 92210-1150 | 2 |