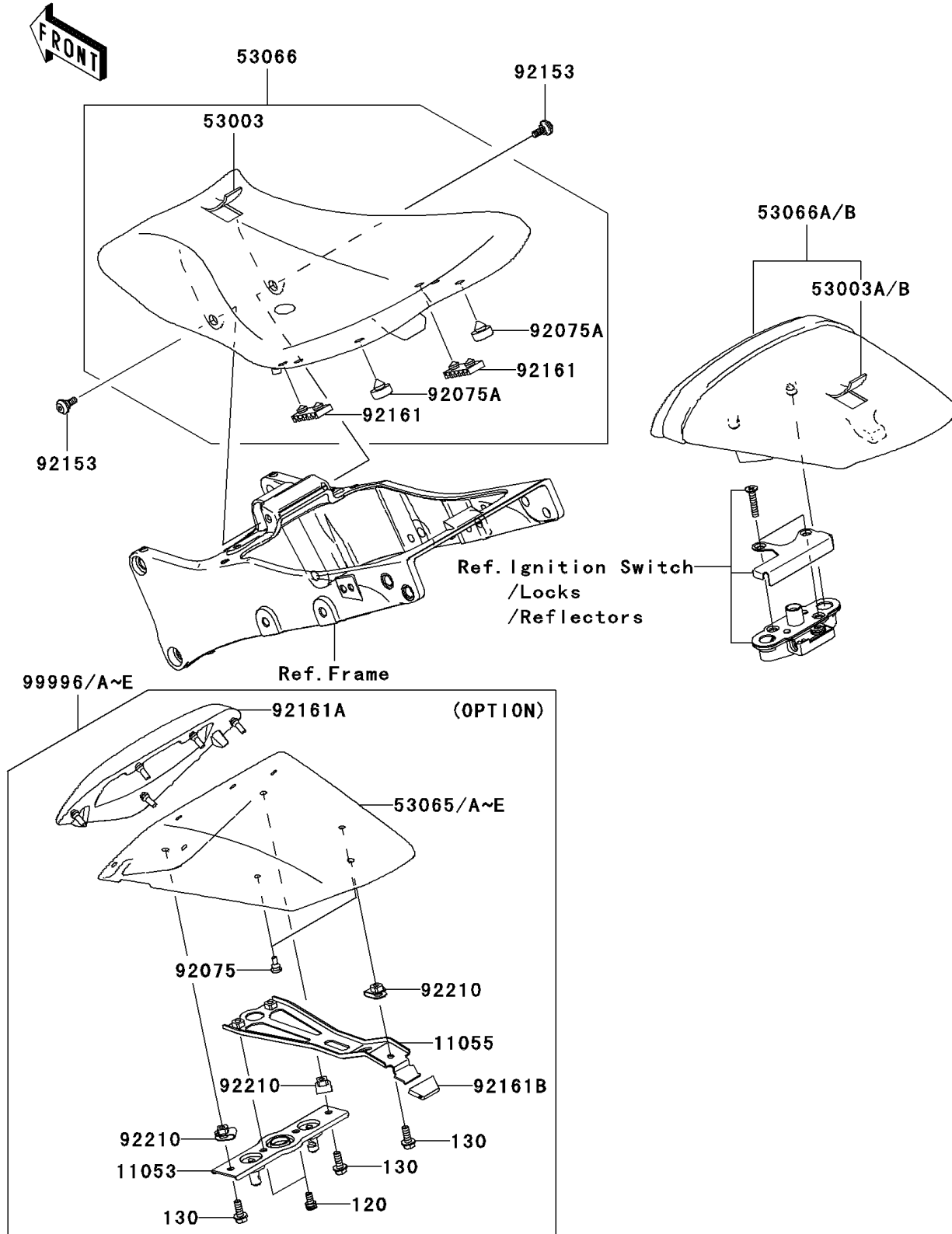


2008 Ninja® ZX™-10R PARTS DIAGRAM

Seat

F2510



2008 Ninja® ZX™-10R PARTS LIST

Seat

ITEM NAME	PART NUMBER	QUANTITY
BRACKET (Ref # 11053)	11053-0386	1
BRACKET,SEAT COVER (Ref # 11055)	11055-0871	1
LEATHER,FRONT SEAT,BLACK (Ref # 53003)	53003-0120-MA	1
LEATHER,REAR SEAT,BLACK (Ref # 53003A)	53003-0121-MA	1
COVER SEAT,ORANGE (Ref # 53065A)	53065-0016-17H	1
COVER SEAT,BLACK (Ref # 53065B)	53065-0016-17K	1
COVER SEAT,BLUE (Ref # 53065D)	53065-0016-723	1
COVER SEAT,GREEN (Ref # 53065E)	53065-0016-777	1
SEAT-ASSY,FR,BLACK (Ref # 53066)	53066-0188-MA	1
SEAT,RR,LEATHER BLK+BAND BLK (Ref # 53066A)	53066-0189-12Y	1
DAMPER (Ref # 92075)	92075-1808	2
DAMPER (Ref # 92075A)	92075-1927	2
BOLT,SOCKET,6MM (Ref # 92153)	92153-0489	2
DAMPER,SEAT (Ref # 92161)	92161-0149	2
DAMPER,SEAT COVER (Ref # 92161A)	92161-0627	1
DAMPER (Ref # 92161B)	92161-0629	1
NUT,6MM (Ref # 92210)	92210-0277	3
KIT,SINGLE SEAT COVER,ORANGE (Ref # 99996A)	99996-1358-17H	1
KIT,SINGLE SEAT COVER,BLACK (Ref # 99996B)	99996-1358-17K	1
KIT,SINGLE SEAT COVER,BLUE (Ref # 99996D)	99996-1358-723	1
KIT,SINGLE SEAT COVER,GREEN (Ref # 99996E)	99996-1358-777	1
BOLT-SOCKET,6X10 (Ref # 120)	120CA0610	2
BOLT-FLANGED,6X16 (Ref # 130)	130BA0616	3