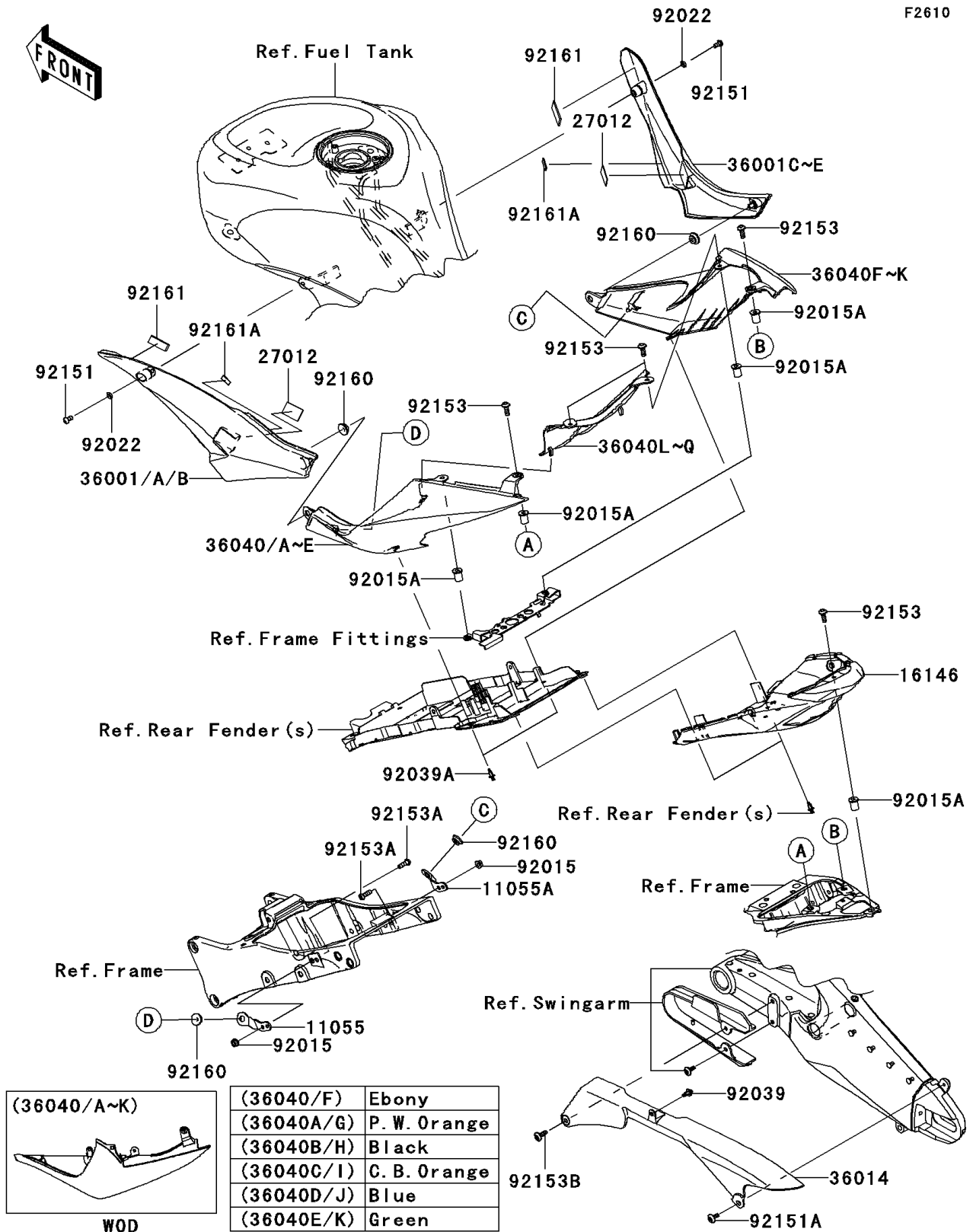


2008 Ninja® ZX™-10R PARTS DIAGRAM

Side Covers/Chain Cover

F2610



2008 Ninja® ZX™-10R PARTS LIST

Side Covers/Chain Cover

ITEM NAME	PART NUMBER	QUANTITY
-----------	-------------	----------