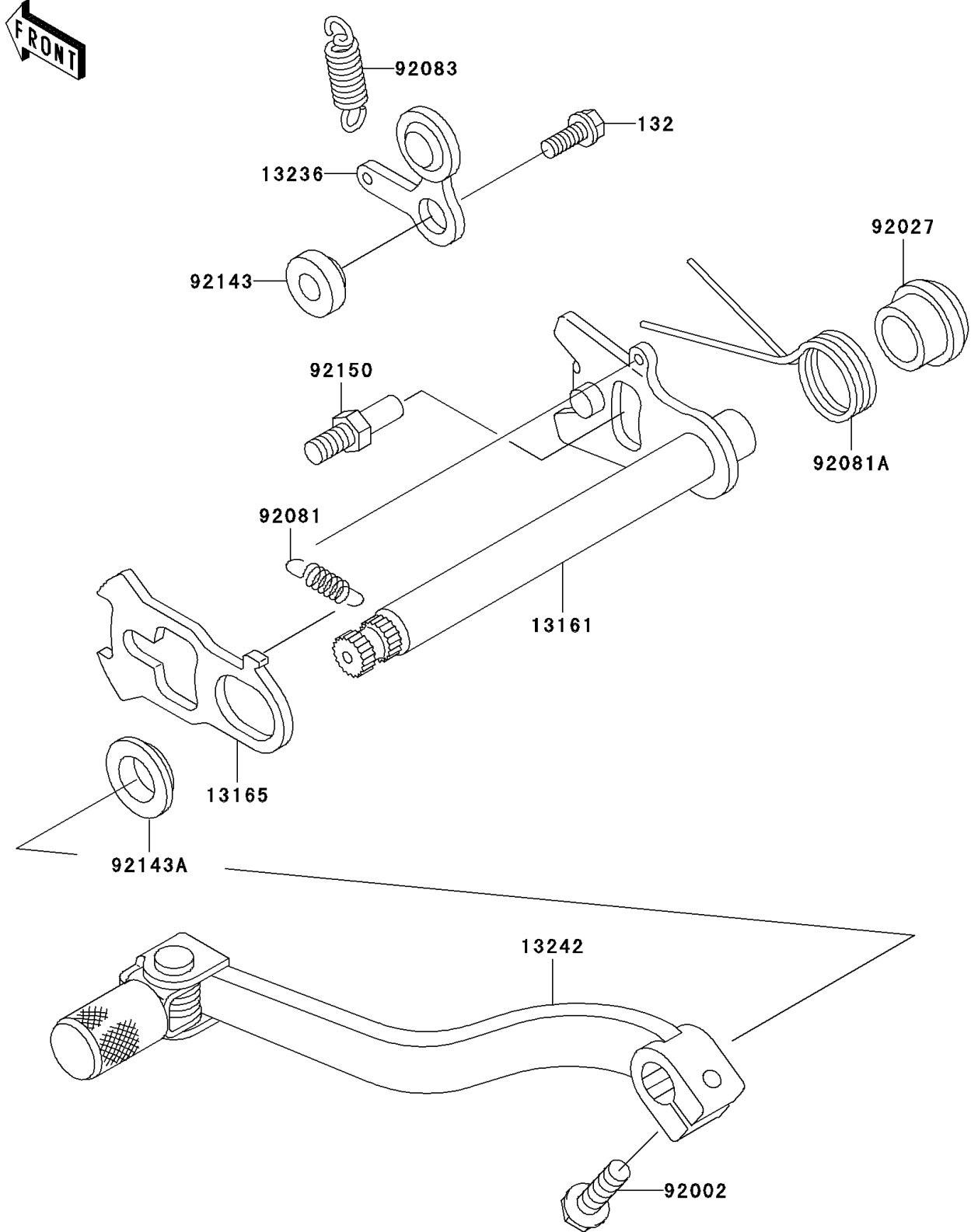


# 2005 KX85 PARTS DIAGRAM

## Gear Change Mechanism

E1370



## 2005 KX85 PARTS LIST

### Gear Change Mechanism

| ITEM NAME                                 | PART NUMBER | QUANTITY |
|---|-------------|----------|
| BOLT-FLANGED-SMALL (Ref # 132)            | 132G0616    | 1        |
| LEVER-COMP-CHANGE SHAFT (Ref # 13161)     | 13161-1126  | 1        |
| PAWL,CHANGE LEVER (Ref # 13165)           | 13165-1114  | 1        |
| LEVER-COMP,POSITION (Ref # 13236)         | 13236-1152  | 1        |
| LEVER-ASSY-CHANGE,PEDAL (Ref # 13242)     | 13242-1286  | 1        |
| BOLT,6X20 (Ref # 92002)                   | 92002-1237  | 1        |
| COLLAR (Ref # 92027)                      | 92027-1940  | 1        |
| SPRING,CHANGE LEVER (Ref # 92081)         | 92081-076   | 1        |
| SPRING,CHANGE SHAFT RETURN (Ref # 92081A) | 92081-1716  | 1        |
| SPRING,CHANGE DRUM LEVER (Ref # 92083)    | 92083-012   | 1        |
| COLLAR (Ref # 92143)                      | 92143-1055  | 1        |
| COLLAR (Ref # 92143A)                     | 92143-1995  | 1        |
| BOLT,RETURN SPRING (Ref # 92150)          | 92150-1467  | 1        |