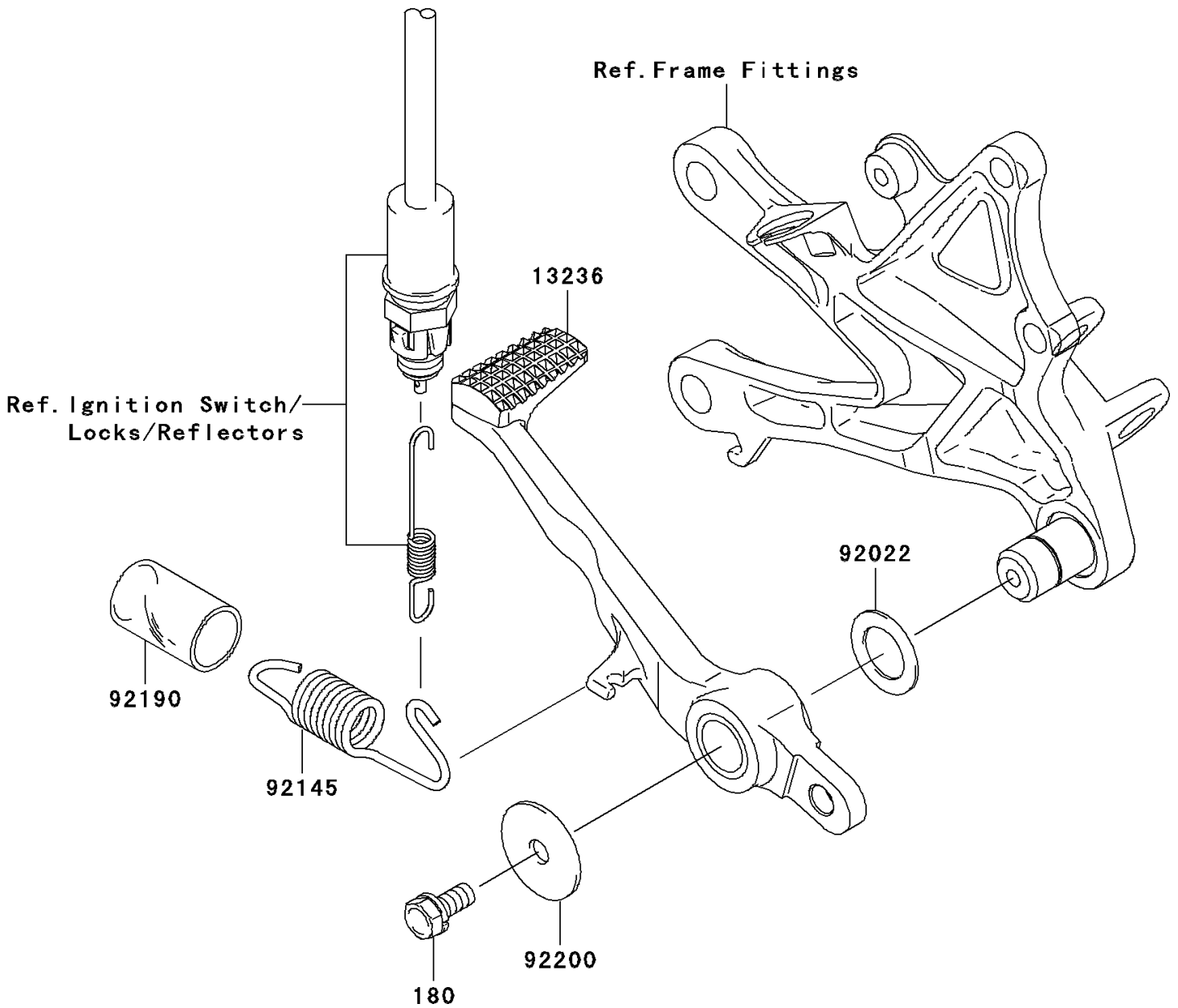


2010 Ninja® ZX™-10R PARTS DIAGRAM

Brake Pedal/Torque Link

F2260



2010 Ninja® ZX™-10R PARTS LIST

Brake Pedal/Torque Link

ITEM NAME	PART NUMBER	QUANTITY
-----------	-------------	----------