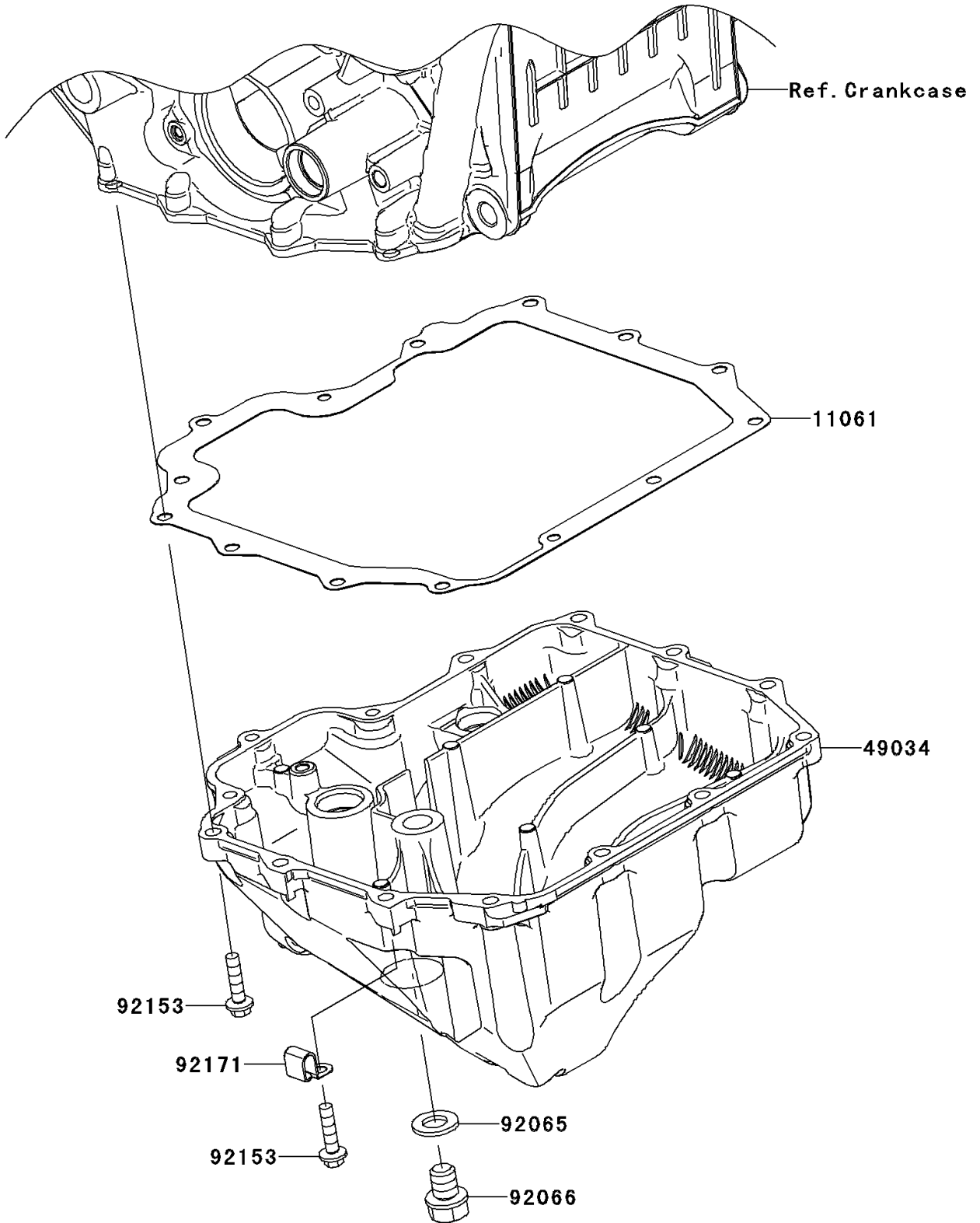


2012 NINJA® ZX™ -10R PARTS DIAGRAM

Oil Pan

E1434



2012 NINJA® ZX™ -10R PARTS LIST

Oil Pan

ITEM NAME	PART NUMBER	QUANTITY
-----------	-------------	----------