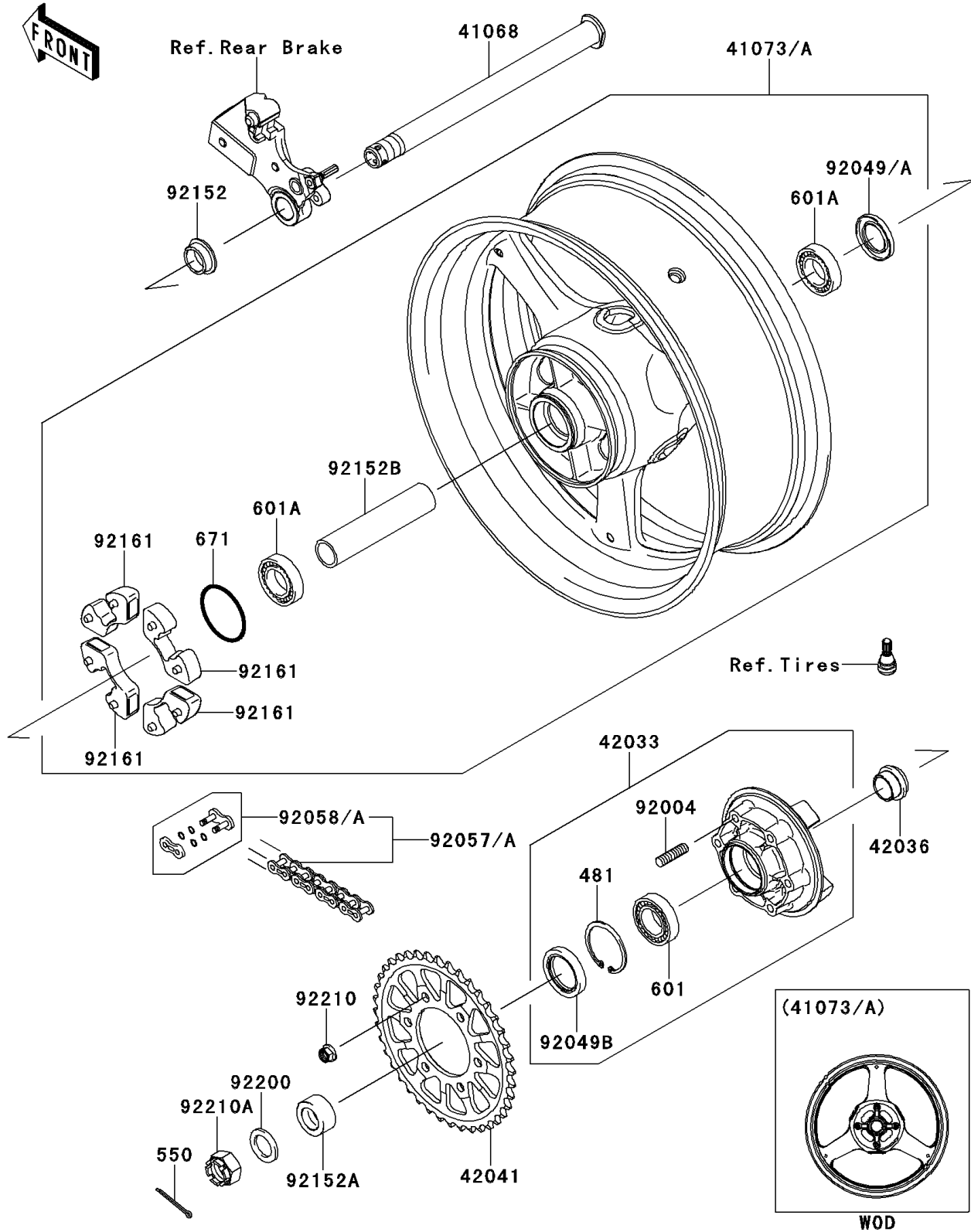


2012 NINJA® ZX™ -10R PARTS DIAGRAM

Rear Wheel/Chain

F2240



2012 NINJA® ZX™ -10R PARTS LIST

Rear Wheel/Chain

ITEM NAME	PART NUMBER	QUANTITY
-----------	-------------	----------