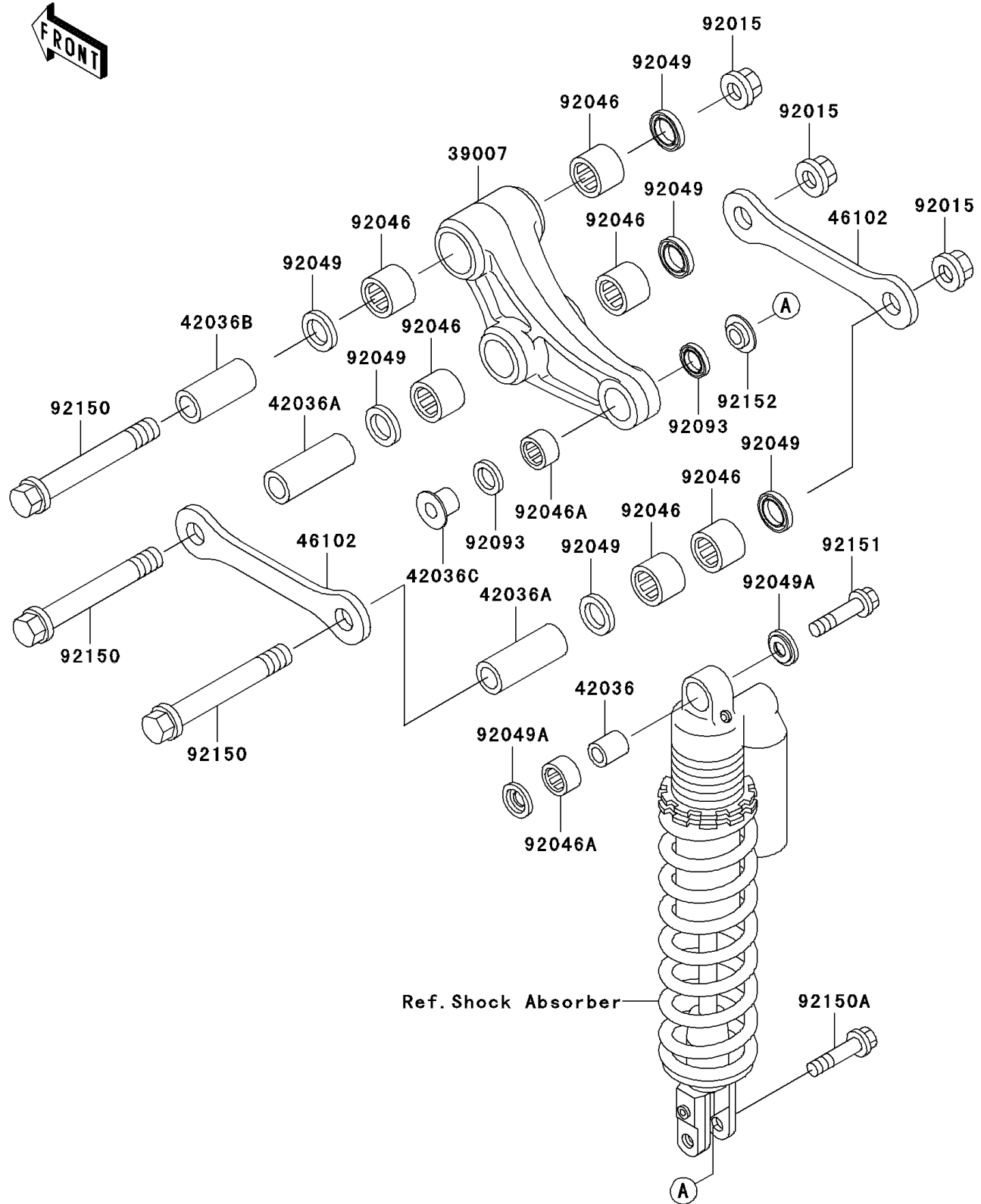


2004 KX85 PARTS DIAGRAM

Rear Suspension

F2150



2004 KX85 PARTS LIST

Rear Suspension

| ITEM NAME | PART NUMBER | QUANTITY |
|--|-------------|----------|
| ARM-SUSP,UNI TRAK (Ref # 39007) | 39007-1261 | 1 |
| SLEEVE,10X16X19 (Ref # 42036) | 42036-1248 | 1 |
| SLEEVE,12X18X57 (Ref # 42036A) | 42036-1273 | 2 |
| SLEEVE,12X18X49 (Ref # 42036B) | 42036-1274 | 1 |
| SLEEVE (Ref # 42036C) | 42036-1351 | 1 |
| ROD,SUSPENSION (Ref # 46102) | 46102-1291 | 2 |
| NUT,FLANGED,12MM (Ref # 92015) | 92015-1433 | 3 |
| BEARING-NEEDLE,18BM2416 (Ref # 92046) | 92046-1144 | 6 |
| BEARING-NEEDLE,16BM2212 (Ref # 92046A) | 92046-1192 | 2 |
| SEAL-OIL (Ref # 92049) | 92049-1328 | 6 |
| SEAL-OIL (Ref # 92049A) | 92049-1330 | 2 |
| SEAL (Ref # 92093) | 92093-1436 | 2 |
| BOLT,FLANGED,12X83 (Ref # 92150) | 92150-1412 | 3 |
| BOLT,FLANGED,10X40 (Ref # 92150A) | 92150-1711 | 1 |
| BOLT,FLANGED,10X45 (Ref # 92151) | 92151-1413 | 1 |
| COLLAR (Ref # 92152) | 92152-1139 | 1 |