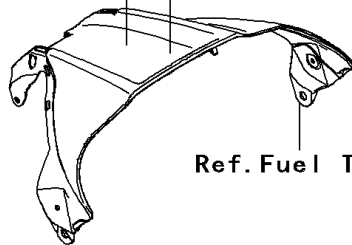
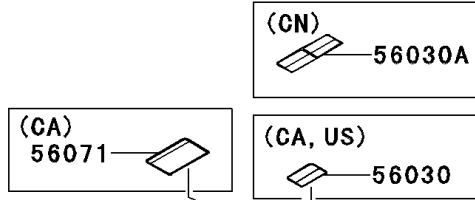


2014 NINJA® ZX™ -10R PARTS DIAGRAM

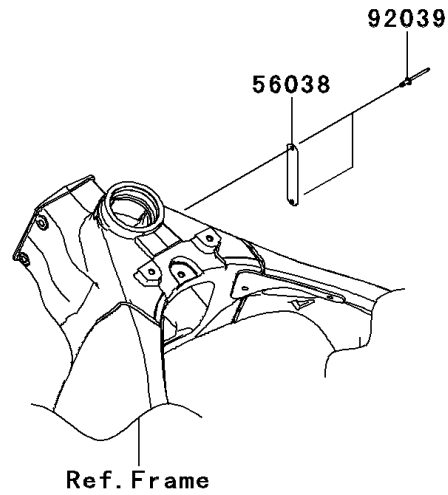
Labels



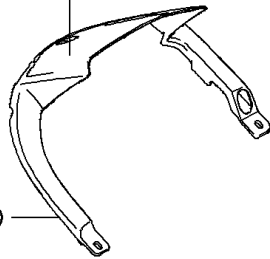
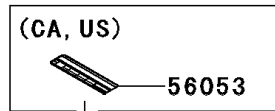
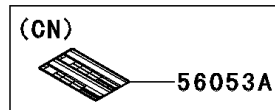
F2860



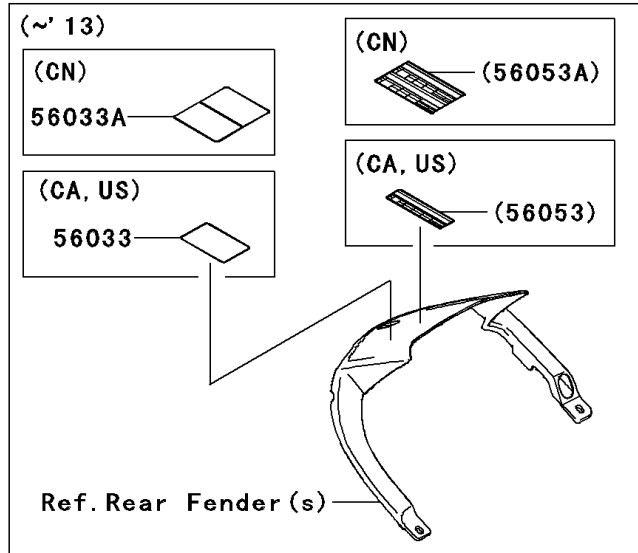
Ref. Fuel Tank



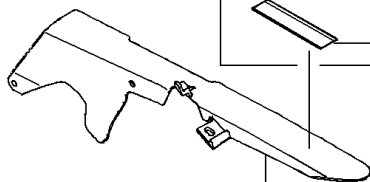
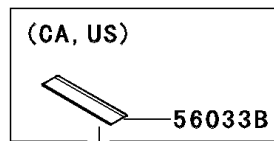
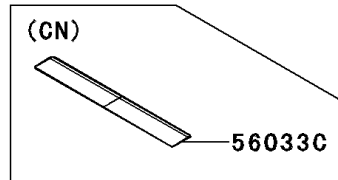
Ref. Frame



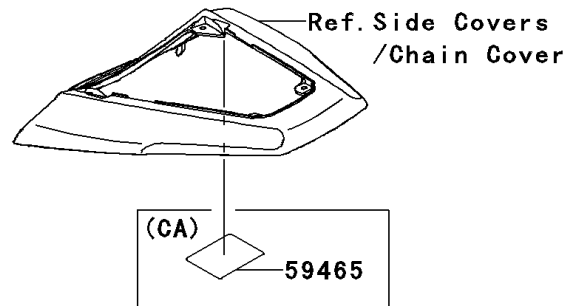
Ref. Rear Fender (s)



Ref. Rear Fender (s)



Ref. Side Covers /Chain Cover



2014 NINJA® ZX™ -10R PARTS LIST

Labels

ITEM NAME	PART NUMBER	QUANTITY
LABEL,GASOLINE (Ref # 56030)	56030-0357	1
LABEL,GASOLINE (Ref # 56030A)	56030-0358	1
LABEL-MANUAL,CHAIN (Ref # 56033B)	56033-0380	1
LABEL-MANUAL,CHAIN (Ref # 56033C)	56033-0381	1
LABEL-BRAND,KAWASAKI (Ref # 56038)	56038-1054	1
LABEL-SPECIFICATION,TIRE&LOAD (Ref # 56053)	56053-0540	1
LABEL-SPECIFICATION,TIRE&LOAD (Ref # 56053A)	56053-0562	1
LABEL-WARNING,EVAPO (Ref # 56071)	56071-0158	1
LABEL-CERTIFICATION,EVAPO ROUT (Ref # 59465)	59465-0096	1
RIVET (Ref # 92039)	92039-1251	2