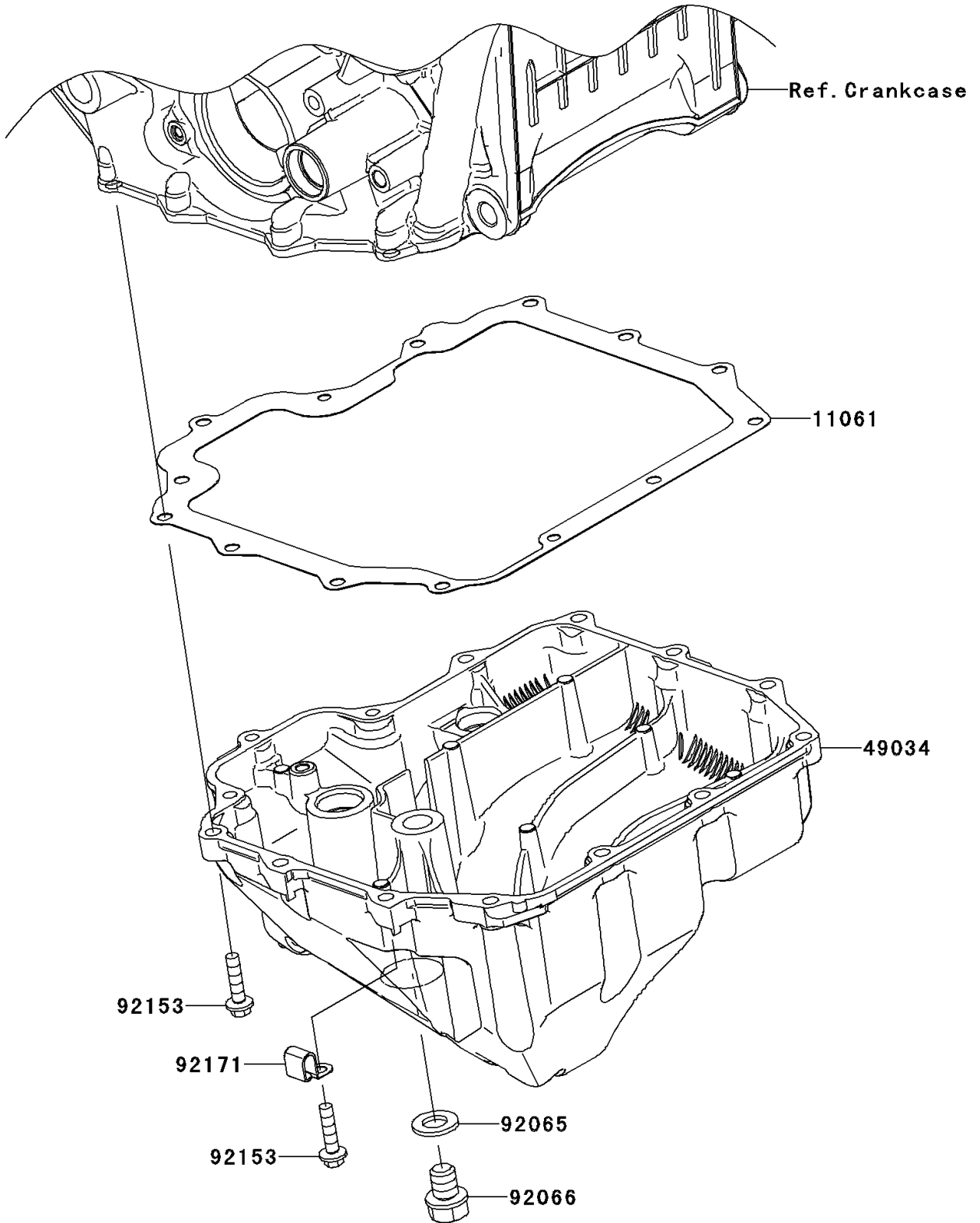


2013 NINJA[®] ZX[™]-10R ABS PARTS DIAGRAM

Oil Pan

E1434



2013 NINJA® ZX™ -10R ABS PARTS LIST

Oil Pan

| ITEM NAME | PART NUMBER | QUANTITY |
|---------------------------------|-------------|----------|
| GASKET,OIL PAN (Ref # 11061) | 11061-0747 | 1 |
| PAN-OIL (Ref # 49034) | 49034-0038 | 1 |
| GASKET,12X22X2 (Ref # 92065) | 92065-097 | 1 |
| PLUG,12X15 (Ref # 92066) | 92066-0079 | 1 |
| BOLT,FLANGED,6X25 (Ref # 92153) | 92153-1569 | 14 |
| CLAMP (Ref # 92171) | 92171-0534 | 1 |