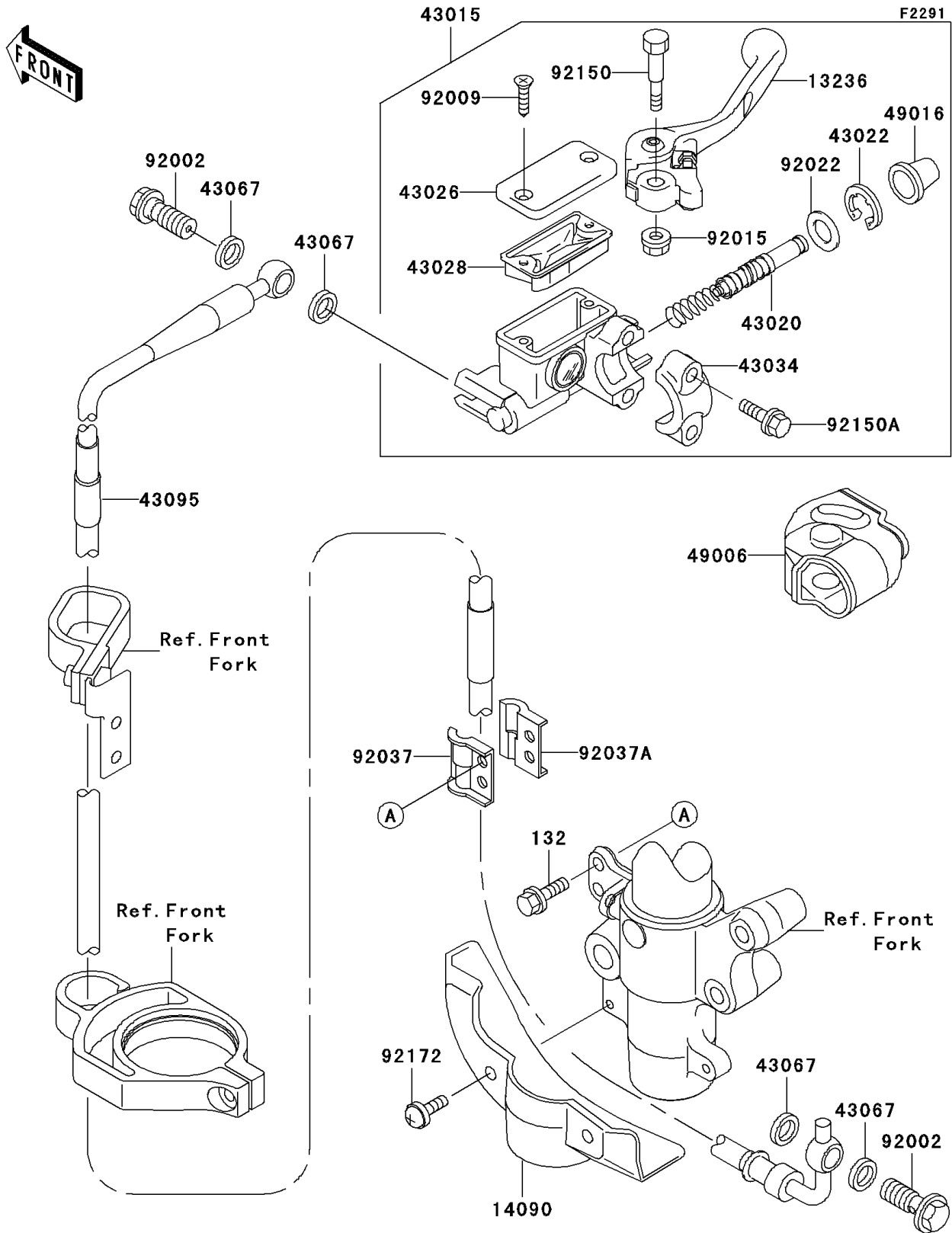


2004 KX85 PARTS DIAGRAM

Front Master Cylinder



2004 KX85 PARTS LIST

Front Master Cylinder

| ITEM NAME | PART NUMBER | QUANTITY |
|--|---------------|----------|
| BOLT-FLANGED-SMALL (Ref # 132) | 132G0616 | 2 |
| LEVER-COMP,FRONT BRAKE (Ref # 13236) | 13236-1346 | 1 |
| COVER,BRAKE HOSE,WHITE (Ref # 14090) | 14090-1860-RZ | 1 |
| CYLINDER-ASSY-MASTER,FR (Ref # 43015) | 43015-1674 | 1 |
| PISTON-COMP-BRAKE (Ref # 43020) | 43020-1123 | 1 |
| STOPPER-BRAKE,PISTON (Ref # 43022) | 43022-1010 | 1 |
| CAP-BRAKE (Ref # 43026) | 43026-1075 | 1 |
| DIAPHRAGM (Ref # 43028) | 43028-1067 | 1 |
| HOLDER-BRAKE (Ref # 43034) | 43034-1110 | 1 |
| WASHER,10.5X15X1.5 (Ref # 43067) | 43067-001 | 4 |
| HOSE-BRAKE,FR (Ref # 43095) | 43095-1091 | 1 |
| BOOT,FRONT BRAKE LEVER (Ref # 49006) | 49006-1344 | 1 |
| COVER-SEAL,MASTER CYLINDER (Ref # 49016) | 49016-1044 | 1 |
| BOLT,OIL,L=23 (Ref # 92002) | 92002-1888 | 2 |
| SCREW,4MM (Ref # 92009) | 92009-1458 | 2 |
| NUT,FLANGED,6MM (Ref # 92015) | 92015-1528 | 1 |
| WASHER (Ref # 92022) | 92022-1814 | 1 |
| CLAMP,BRAKE HOSE,OUTSIDE (Ref # 92037) | 92037-1362 | 1 |
| CLAMP,BRAKE HOSE,INSIDE (Ref # 92037A) | 92037-1363 | 1 |
| BOLT,LEVER SET (Ref # 92150) | 92150-1451 | 1 |
| BOLT (Ref # 92150A) | 92150-1452 | 2 |
| SCREW,6X14 (Ref # 92172) | 92172-0107 | 2 |