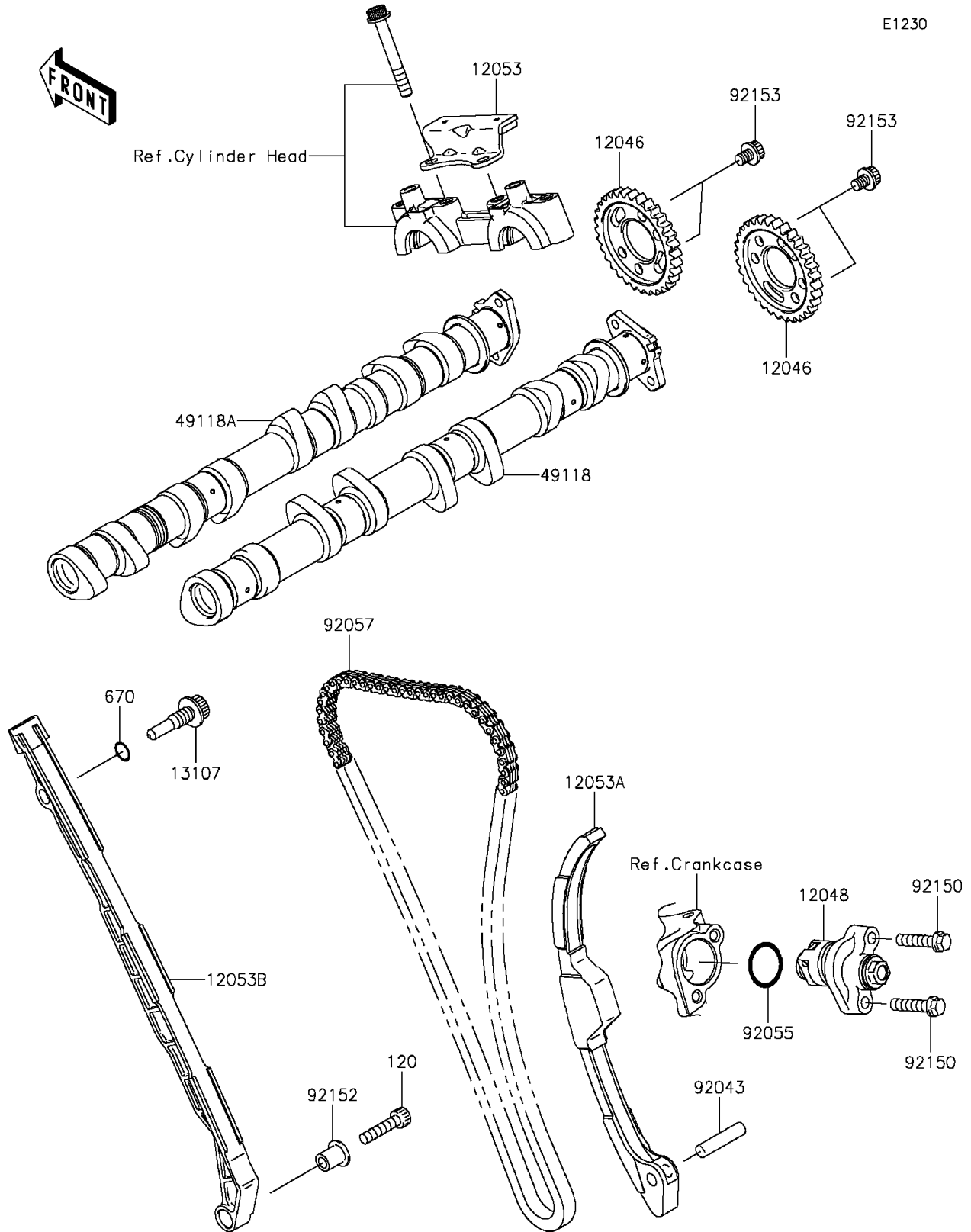


2015 Ninja® ZX™ -10R PARTS DIAGRAM

Camshaft(s)/Tensioner



2015 Ninja® ZX™ -10R PARTS LIST

Camshaft(s)/Tensioner

ITEM NAME	PART NUMBER	QUANTITY
SPROCKET,32T (Ref # 12046)	12046-0098	2
TENSIONER-ASSY (Ref # 12048)	12048-0088	1
GUIDE-CHAIN,UPP (Ref # 12053)	12053-0173	1
GUIDE-CHAIN,RR (Ref # 12053A)	12053-0174	1
GUIDE-CHAIN,FR (Ref # 12053B)	12053-0175	1
SHAFT,CHAIN GUIDE (Ref # 13107)	13107-0157	1
CAMSHAFT-COMP,INTAKE (Ref # 49118)	49118-0718	1
CAMSHAFT-COMP,EXHAUST (Ref # 49118A)	49118-0719	1
PIN,7X30.7 (Ref # 92043)	92043-0062	1
RING-O,20.8X1.9 (Ref # 92055)	92055-0053	1
CHAIN,98XRH2015-126M (Ref # 92057)	92057-0202	1
BOLT,FLANGED-SMALL,6X25 (Ref # 92150)	92150-1779	2
COLLAR (Ref # 92152)	92152-0413	1
BOLT,FLANGED,6X8 (Ref # 92153)	92153-0455	4
BOLT-SOCKET,6X25 (Ref # 120)	120CA0625	1
O RING,9MM (Ref # 670)	670D1509	1