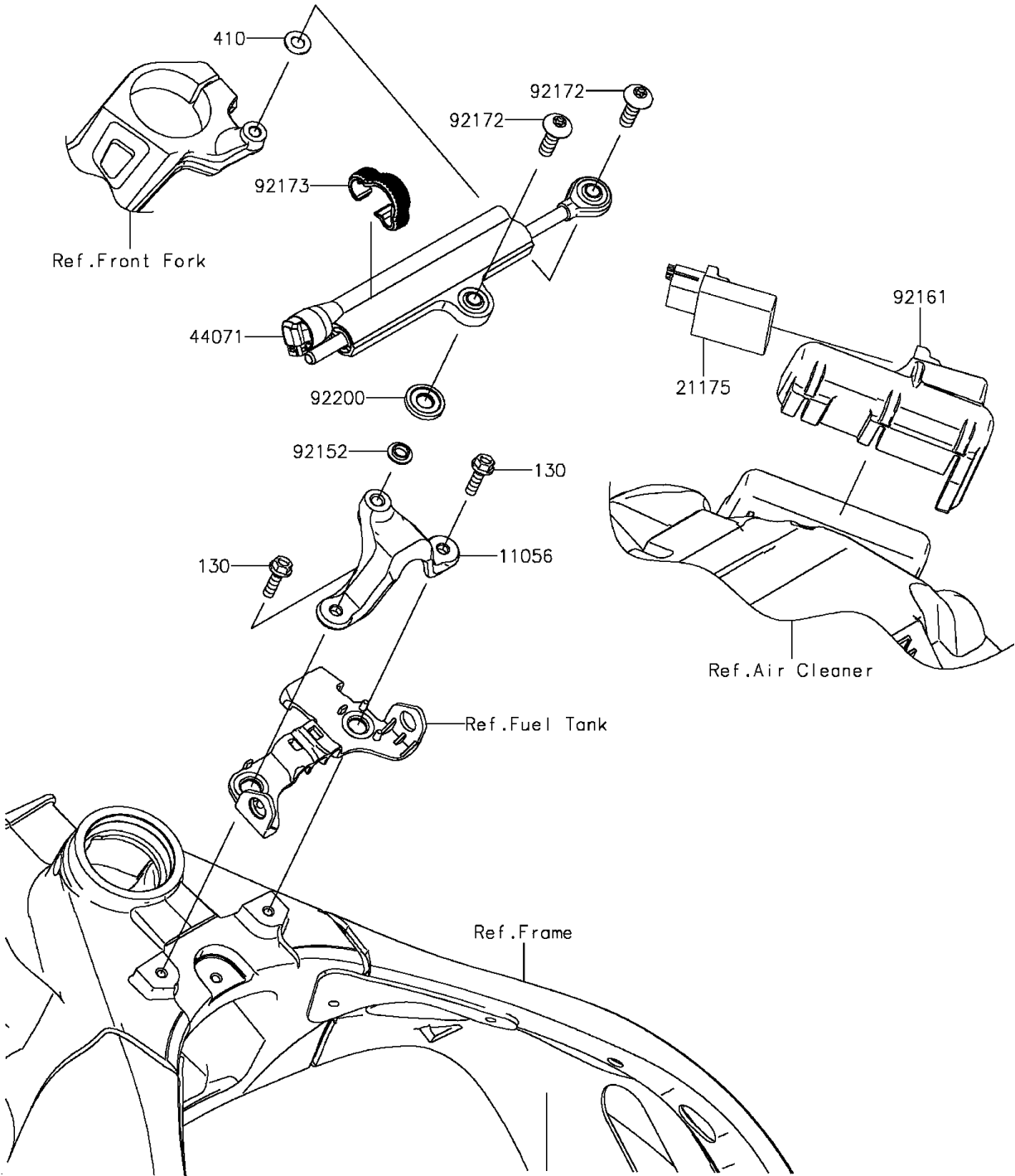


# 2015 Ninja® ZX™ -10R PARTS DIAGRAM

Steering Damper

F2313



## 2015 Ninja® ZX™ -10R PARTS LIST

### Steering Damper

ITEM NAME	PART NUMBER	QUANTITY
BRACKET,STEERING DAMPER (Ref # 11056)	11056-0173	1
CONTROL UNIT-ELECTRONIC (Ref # 21175)	21175-0828	1
DAMPER-ASSY (Ref # 44071)	44071-0857	1
COLLAR,L=3.3 (Ref # 92152)	92152-0834	1
DAMPER (Ref # 92161)	92161-1396	1
SCREW,8X26 (Ref # 92172)	92172-0269	2
CLAMP (Ref # 92173)	92173-1023	1
WASHER (Ref # 92200)	92200-0293	1
BOLT-FLANGED,6X20 (Ref # 130)	130BA0620	2
WASHER-PLAIN-SMALL,8MM (Ref # 410)	410AA0800	1