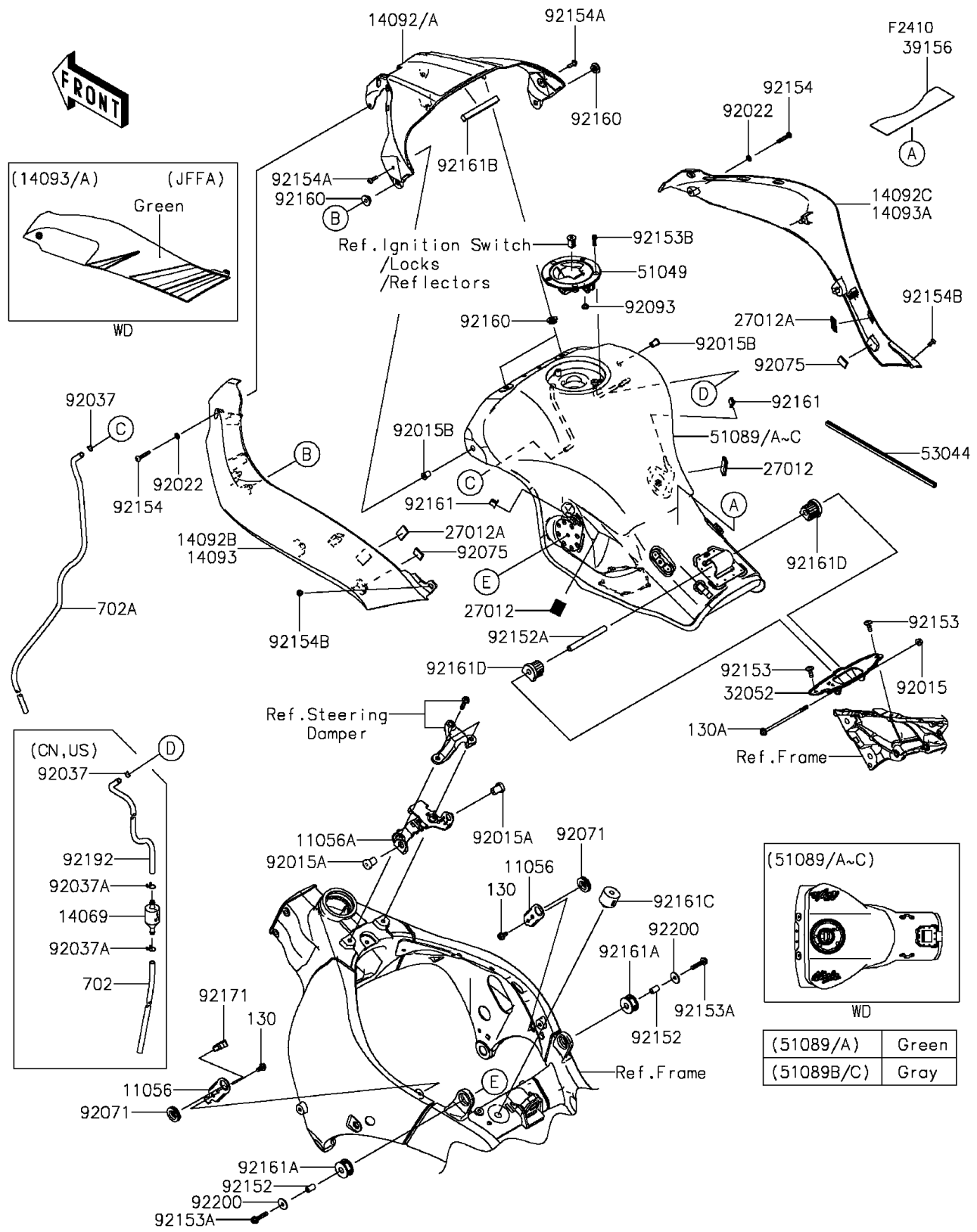


2015 Ninja® ZX™ -10R PARTS DIAGRAM

Fuel Tank



(51089/A)	Green
(51089B/C)	Gray

2015 Ninja® ZX™ -10R PARTS LIST

Fuel Tank

ITEM NAME	PART NUMBER	QUANTITY
BRACKET,TANK COVER,SIDE (Ref # 11056)	11056-0242	2
BRACKET,TANK COVER,FR (Ref # 11056A)	11056-1655	1
BREATHER,FUEL TANK (Ref # 14069)	14069-1004	1
COVER,TANK,CNT,M.M.C.GRAY (Ref # 14092)	14092-0786-51B	1
COVER,TANK,LH,F.EBONY (Ref # 14092B)	14092-0787-45L	1
COVER,TANK,RH,F.EBONY (Ref # 14092C)	14092-0788-45L	1
HOOK (Ref # 27012)	27012-0170	2
HOOK (Ref # 27012A)	27012-0171	2
BRACKET-TANK (Ref # 32052)	32052-0154	1
PAD,40X180X1.0 (Ref # 39156)	39156-0745	1
CAP-TANK,FUEL (Ref # 51049)	51049-0030	1
TANK-COMP-FUEL,M.M.C.GRAY (Ref # 51089B)	51089-5066-51B	1
TANK-COMP-FUEL,M.M.C.GRAY (Ref # 51089C)	51089-5067-51B	1
TRIM (Ref # 53044)	53044-1296	1
NUT,FLANGED,6MM (Ref # 92015)	92015-1367	1
NUT,RUBBER,6MM (Ref # 92015A)	92015-1692	2
NUT,WELL,5MM (Ref # 92015B)	92015-1757	2
WASHER,6.2X11X1.5 (Ref # 92022)	92022-183	2
CLAMP,TUBE (Ref # 92037)	92037-010	1
CLAMP,TUBE (Ref # 92037)	92037-010	2
CLAMP,TUBE (Ref # 92037A)	92037-147	2
GROMMET (Ref # 92071)	92071-1043	2
DAMPER,IGNITION (Ref # 92075)	92075-1982	2
SEAL,FUEL TANK CAP (Ref # 92093)	92093-1030	1
COLLAR,6.8X10X18.5 (Ref # 92152)	92152-0883	2
COLLAR,6.8X10X60 (Ref # 92152A)	92152-1182	1
BOLT,SOCKET,6X16 (Ref # 92153)	92153-1526	2
BOLT,FLANGED,6X28 (Ref # 92153A)	92153-1580	2
BOLT,SOCKET,5X16 (Ref # 92153B)	92153-1616	3

2015 Ninja® ZX™ -10R PARTS LIST

Fuel Tank

ITEM NAME	PART NUMBER	QUANTITY
BOLT,SOCKET,6X30 (Ref # 92154)	92154-0206	2
BOLT,SOCKET,5X16 (Ref # 92154A)	92154-0209	2
BOLT,SOCKET,5X10 (Ref # 92154B)	92154-0211	2
DAMPER (Ref # 92160)	92160-1613	4
DAMPER (Ref # 92161)	92161-0365	2
DAMPER,10X30X16 (Ref # 92161A)	92161-0869	2
DAMPER,10X90X10 (Ref # 92161B)	92161-0963	1
DAMPER (Ref # 92161C)	92161-1116	1
DAMPER,FUEL TANK,RR (Ref # 92161D)	92161-1330	2
CLAMP (Ref # 92171)	92171-0782	1
TUBE,6X9X(770) (Ref # 92192)	92192-0975	1
WASHER,6.5X22X1.6 (Ref # 92200)	92200-1087	2
BOLT-FLANGED,6X12 (Ref # 130)	130AA0612	2
BOLT-FLANGED,6X75 (Ref # 130A)	130BA0675	1
TUBE-RUBBER,6X200 (Ref # 702)	702A06200	1
TUBE-RUBBER,6X9X750 (Ref # 702A)	702A06750	1