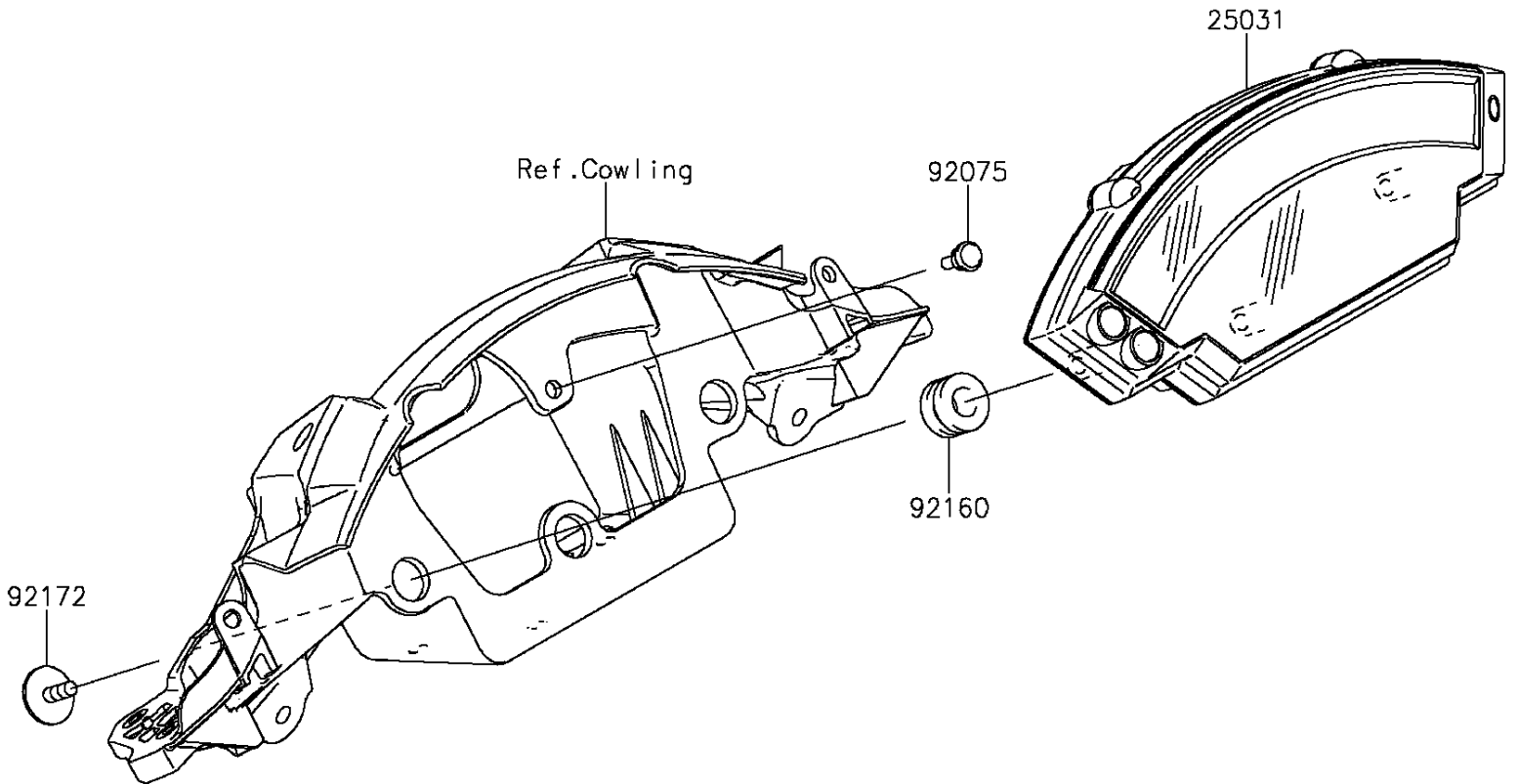


# 2015 Ninja<sup>®</sup> ZX<sup>™</sup>-10R PARTS DIAGRAM

Meter(s)

F2530



## 2015 Ninja® ZX™ -10R PARTS LIST

Meter(s)

ITEM NAME	PART NUMBER	QUANTITY
METER-ASSY,COMBINATION (Ref # 25031)	25031-0415	1
DAMPER (Ref # 92075)	92075-1808	1
DAMPER (Ref # 92160)	92160-1167	3
SCREW,TAPPING,WP,5X14 (Ref # 92172)	92172-0441	3