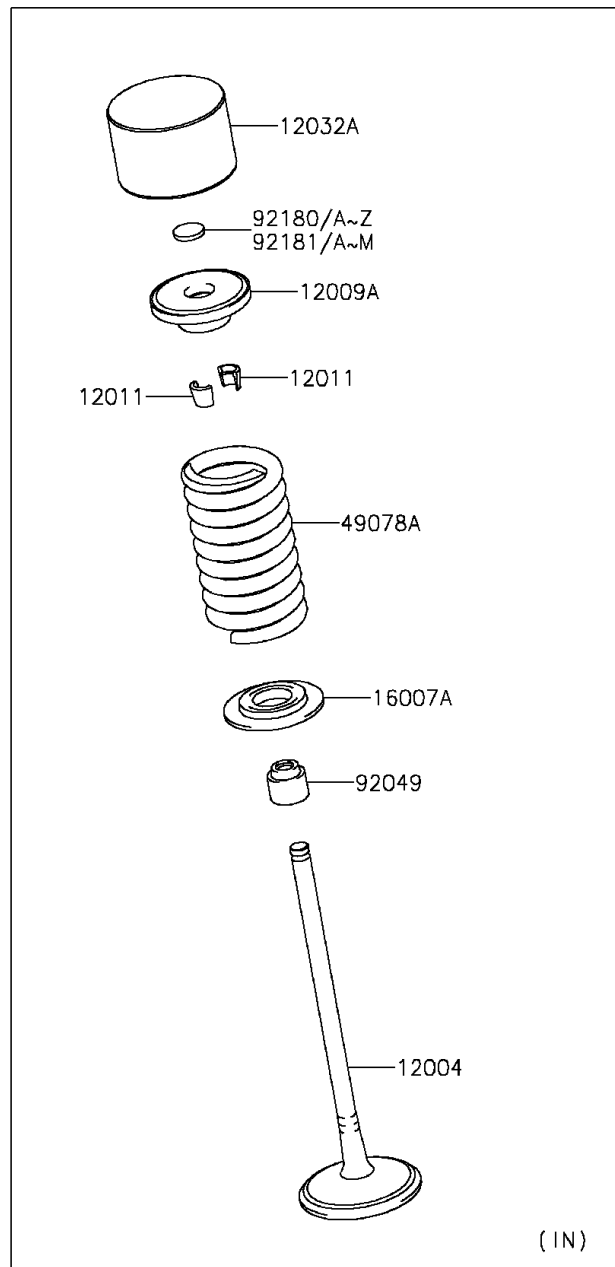
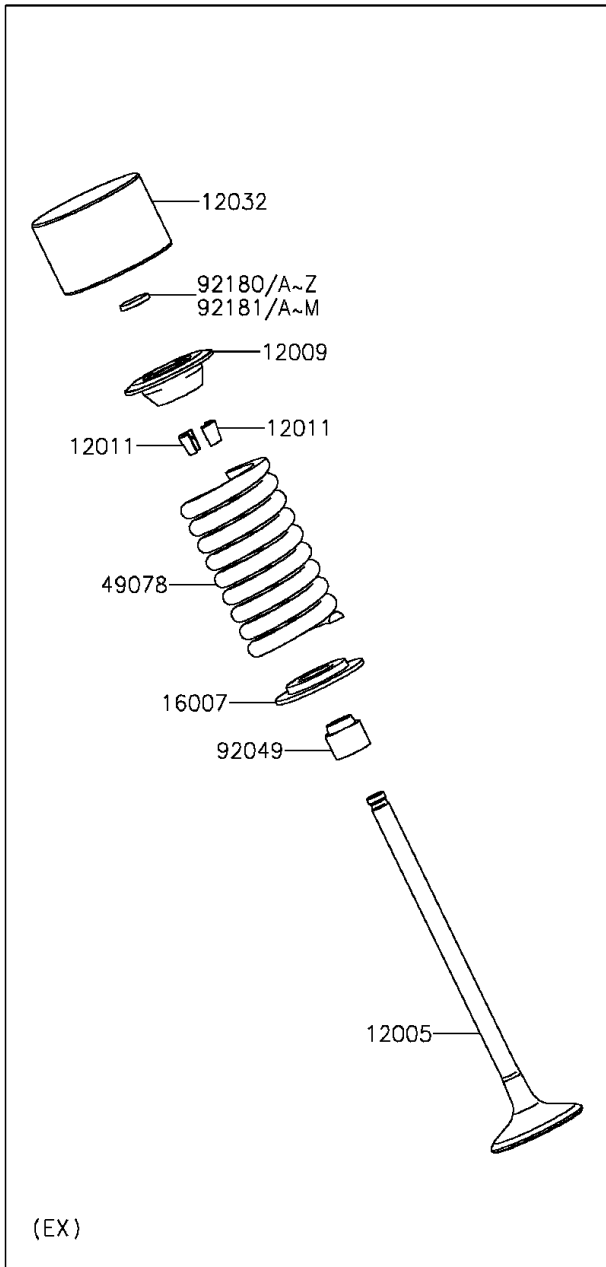


2015 Ninja® ZX™ -10R ABS 30th Anniversary Edition PARTS DIAGRA

Valve(s)

E1210



2015 Ninja® ZX™ -10R ABS 30th Anniversary Edition PARTS LIST

Valve(s)

ITEM NAME	PART NUMBER	QUANTITY
-----------	-------------	----------