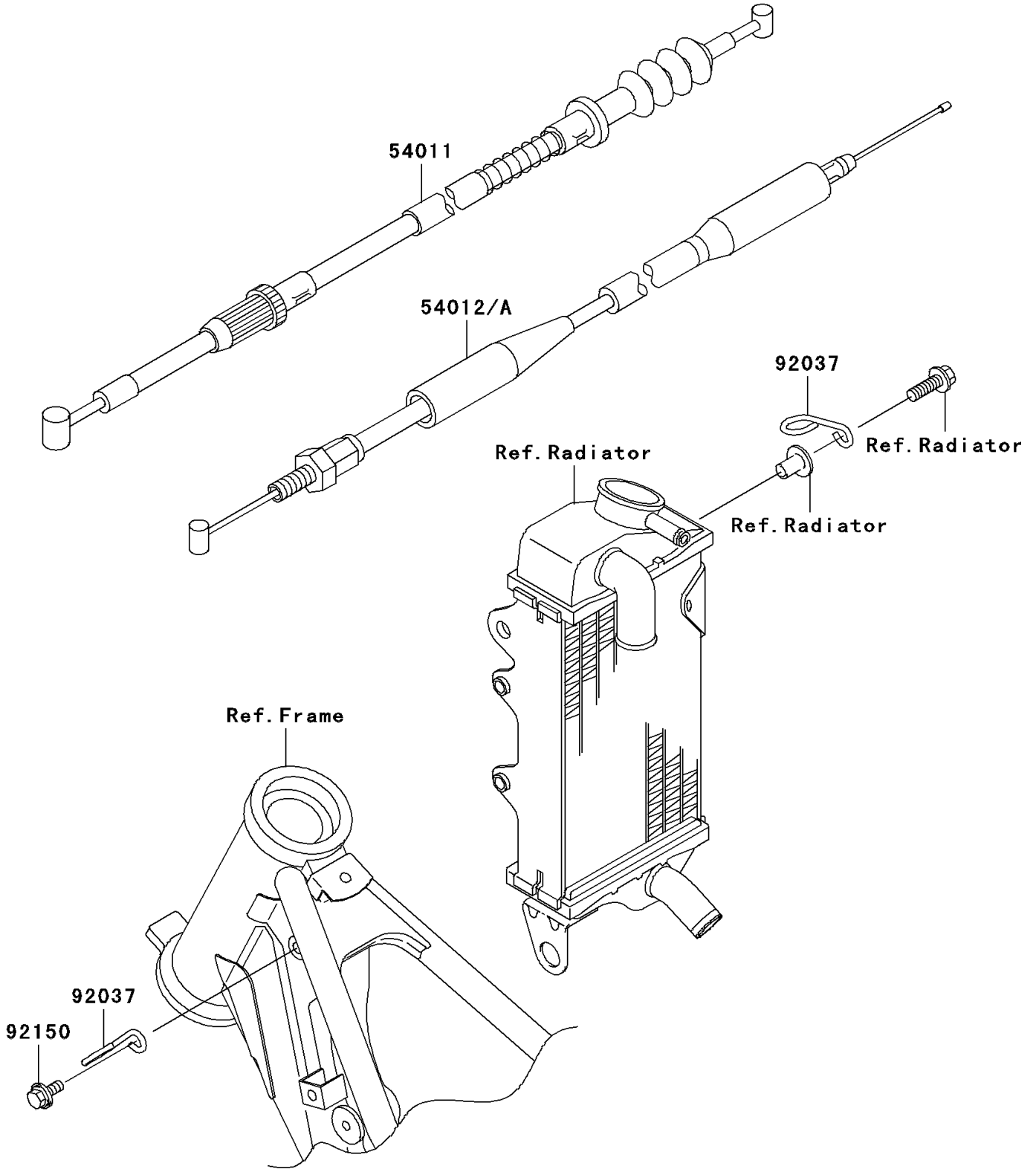


2004 KX85 PARTS DIAGRAM

Cables

F2540



2004 KX85 PARTS LIST

Cables

ITEM NAME	PART NUMBER	QUANTITY
CABLE-CLUTCH (Ref # 54011)	54011-1375	1
CABLE-THROTTLE (Ref # 54012A)	54012-1638	1
CLAMP,CABLE (Ref # 92037)	92037-1064	2
BOLT,6X14 (Ref # 92150)	92150-1340	1