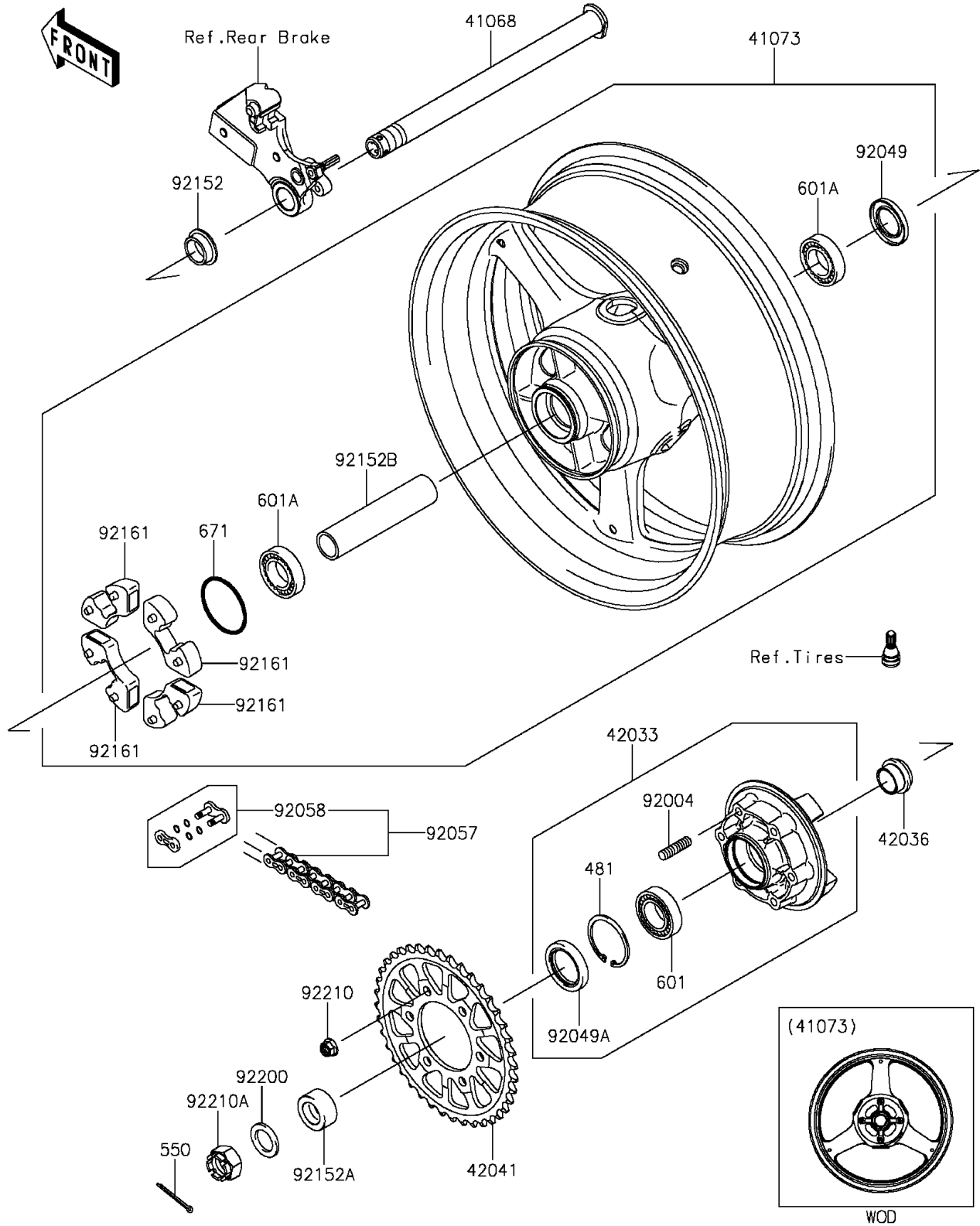


2015 Ninja® ZX™ -10R ABS 30th Anniversary Edition PARTS DIAGRA

Rear Wheel/Chain

F2240



2015 Ninja® ZX™ -10R ABS 30th Anniversary Edition PARTS LIST

Rear Wheel/Chain

ITEM NAME	PART NUMBER	QUANTITY
-----------	-------------	----------