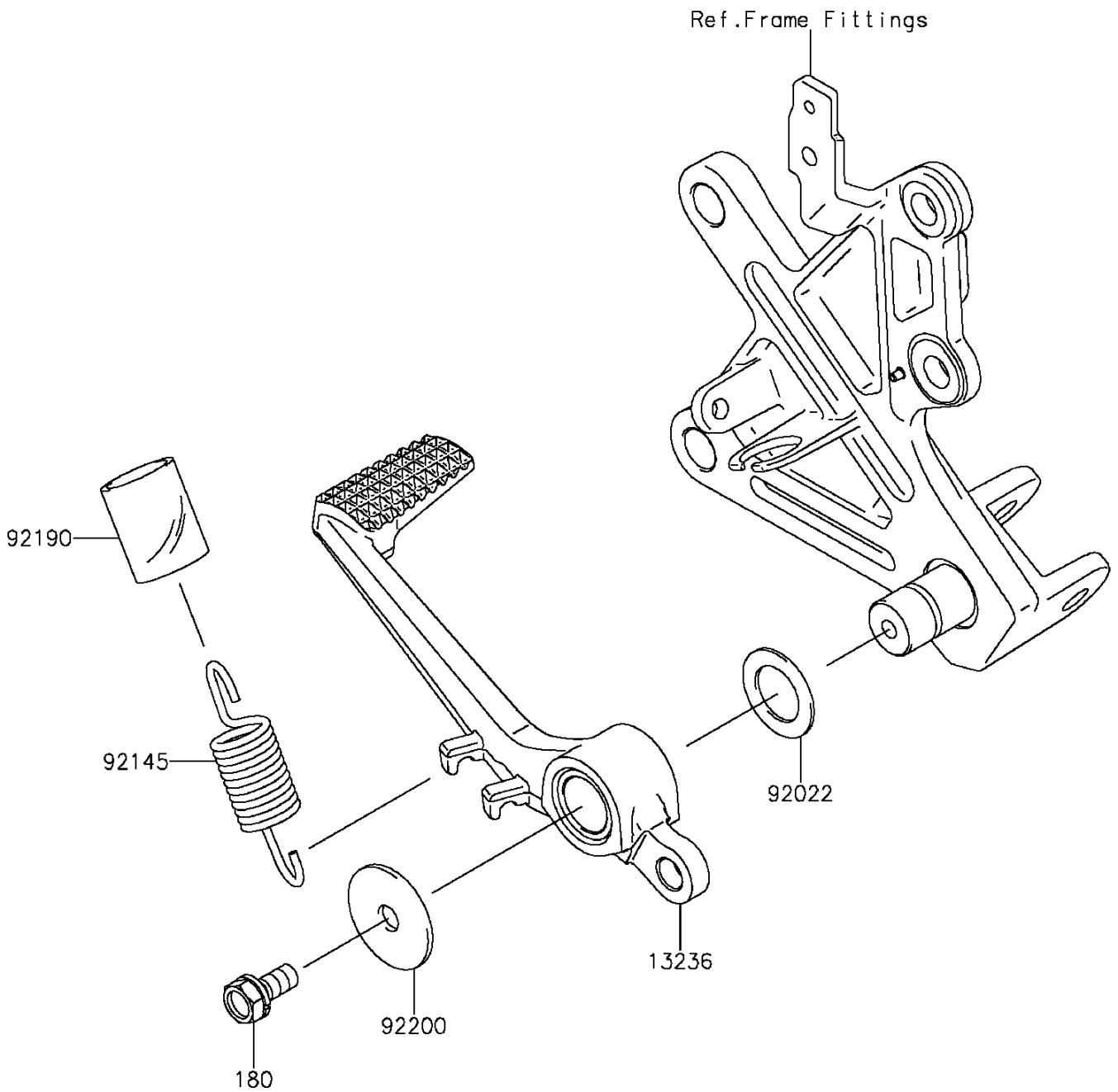


2015 Ninja® ZX™ -10R ABS 30th Anniversary Edition PARTS DIAGRA

Brake Pedal/Torque Link

F2260



2015 Ninja® ZX™ -10R ABS 30th Anniversary Edition PARTS LIST

Brake Pedal/Torque Link

ITEM NAME	PART NUMBER	QUANTITY
-----------	-------------	----------