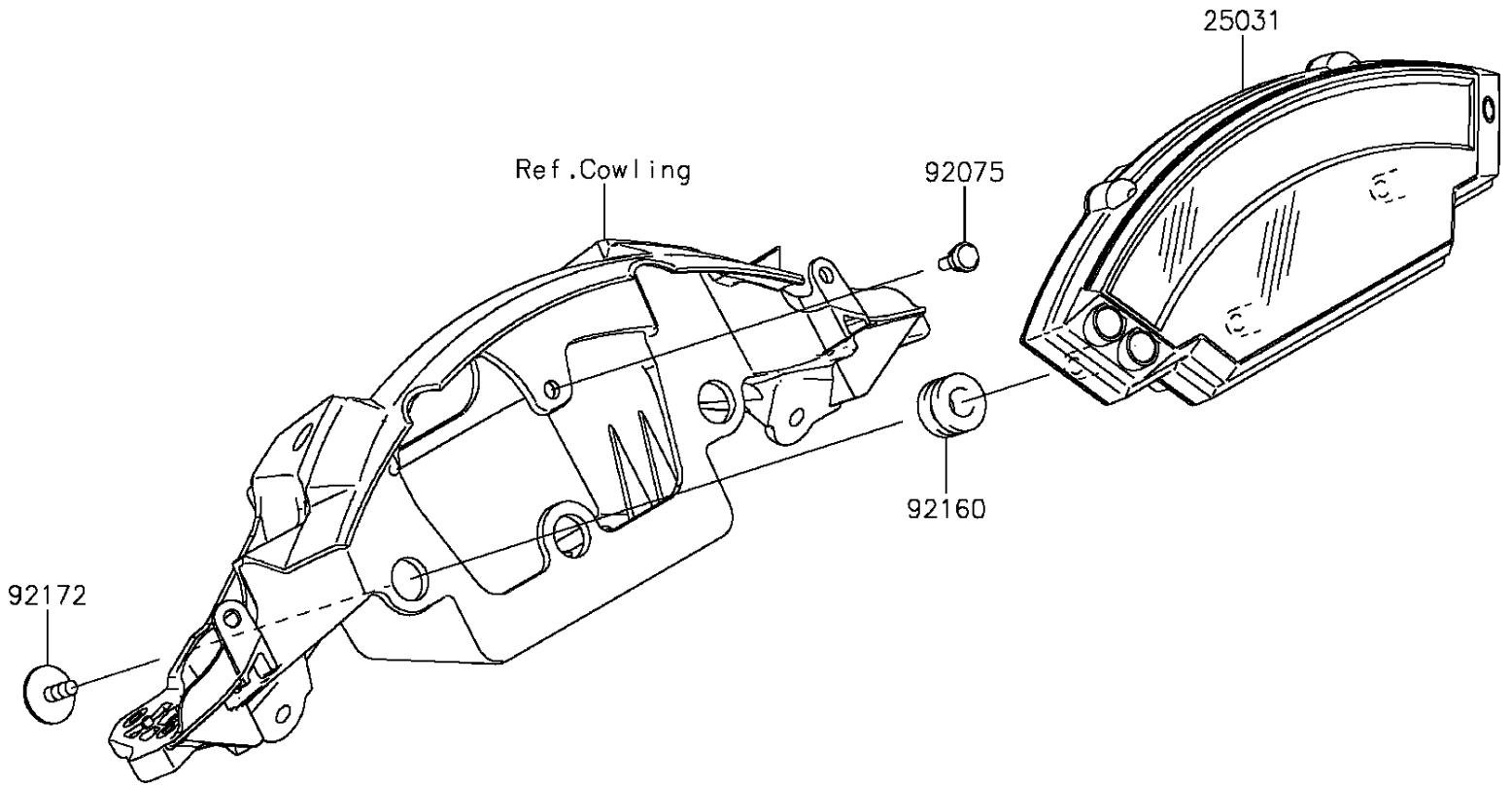


2015 Ninja® ZX™ -10R ABS 30th Anniversary Edition PARTS DIAGRA

Meter(s)

F2530



2015 Ninja® ZX™ -10R ABS 30th Anniversary Edition PARTS LIST

Meter(s)

ITEM NAME	PART NUMBER	QUANTITY
-----------	-------------	----------