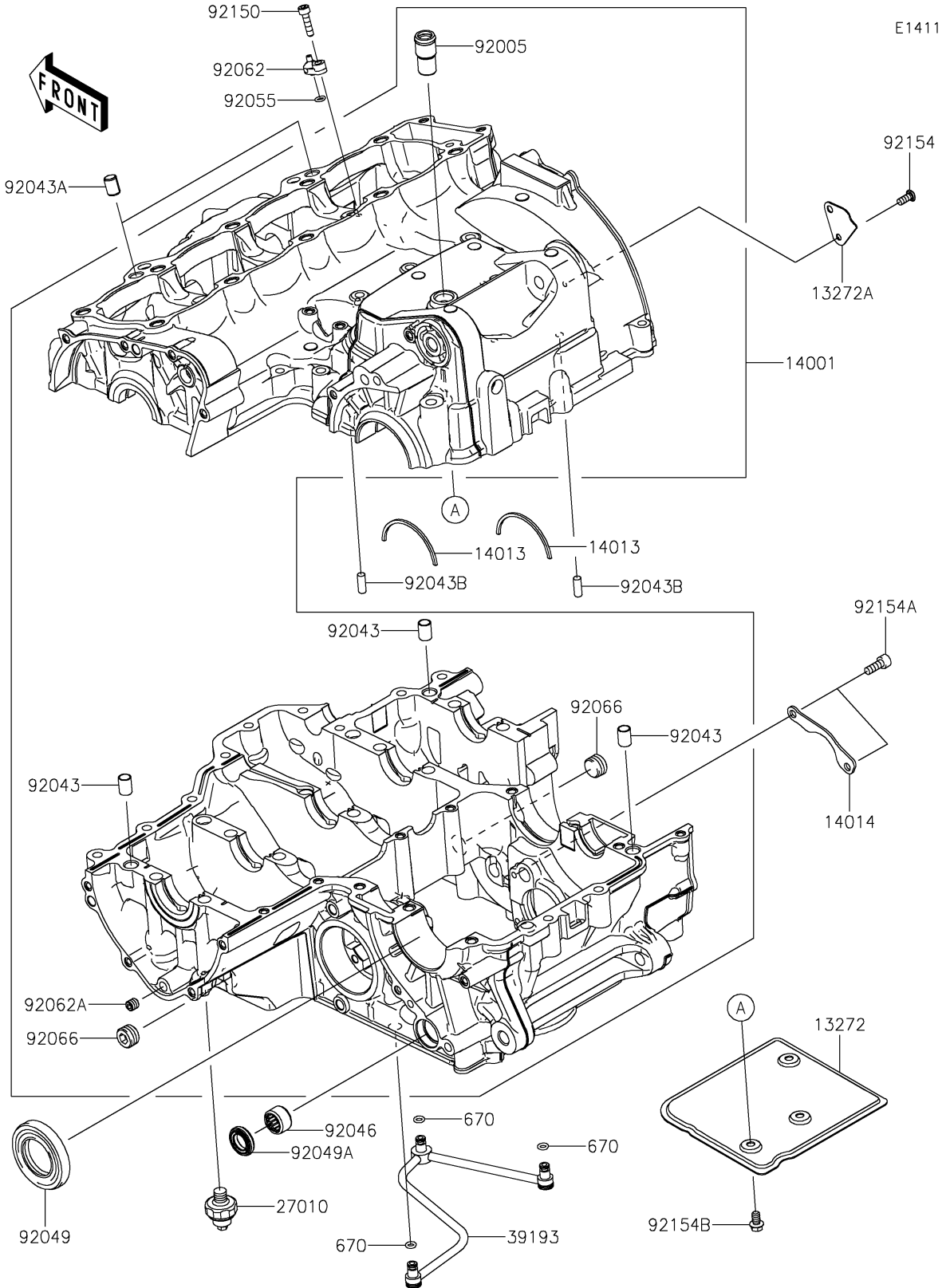


2022 Z900 PARTS DIAGRAM

Crankcase



2022 Z900 PARTS LIST

Crankcase

| ITEM NAME | PART NUMBER | QUANTITY |
|---------------------------------------|-------------|----------|
| PLATE,BREATHER,UPP (Ref # 13272) | 13272-0698 | 1 |
| PLATE,BREATHER,SIDE (Ref # 13272A) | 13272-0699 | 1 |
| SET-CRANKCASE (Ref # 14001) | 14001-0725 | 1 |
| RING-POSITION (Ref # 14013) | 14013-1051 | 2 |
| PLATE-POSITION (Ref # 14014) | 14014-0036 | 1 |
| SWITCH,OIL PRESSURE (Ref # 27010) | 27010-1313 | 1 |
| PIPE-OIL (Ref # 39193) | 39193-0054 | 1 |
| FITTING,BREATHER (Ref # 92005) | 92005-1238 | 1 |
| PIN,DOWEL,10X14 (Ref # 92043) | 92043-1037 | 3 |
| PIN,8.2X10X14 (Ref # 92043A) | 92043-1264 | 2 |
| PIN,6X16 (Ref # 92043B) | 92043-1690 | 2 |
| BEARING-NEEDLE,HK1412FM (Ref # 92046) | 92046-0043 | 1 |
| SEAL-OIL,TC32578 (Ref # 92049) | 92049-1474 | 1 |
| SEAL-OIL,TC14245 (Ref # 92049A) | 92049-1520 | 1 |
| RING-O,5.5X1.5 (Ref # 92055) | 92055-1339 | 1 |
| NOZZLE,OIL JET (Ref # 92062) | 92062-0040 | 1 |
| NOZZLE (Ref # 92062A) | 92062-0046 | 1 |
| PLUG (Ref # 92066) | 92066-0836 | 2 |
| BOLT,SOCKET,5X20 (Ref # 92150) | 92150-1019 | 1 |
| BOLT,TORX,5X12 (Ref # 92154) | 92154-0299 | 1 |
| BOLT,SOCKET,6X16 (Ref # 92154A) | 92154-0484 | 2 |
| BOLT,FLANGED,6X10 (Ref # 92154B) | 92154-1887 | 3 |
| O RING (Ref # 670) | 670D1505 | 3 |