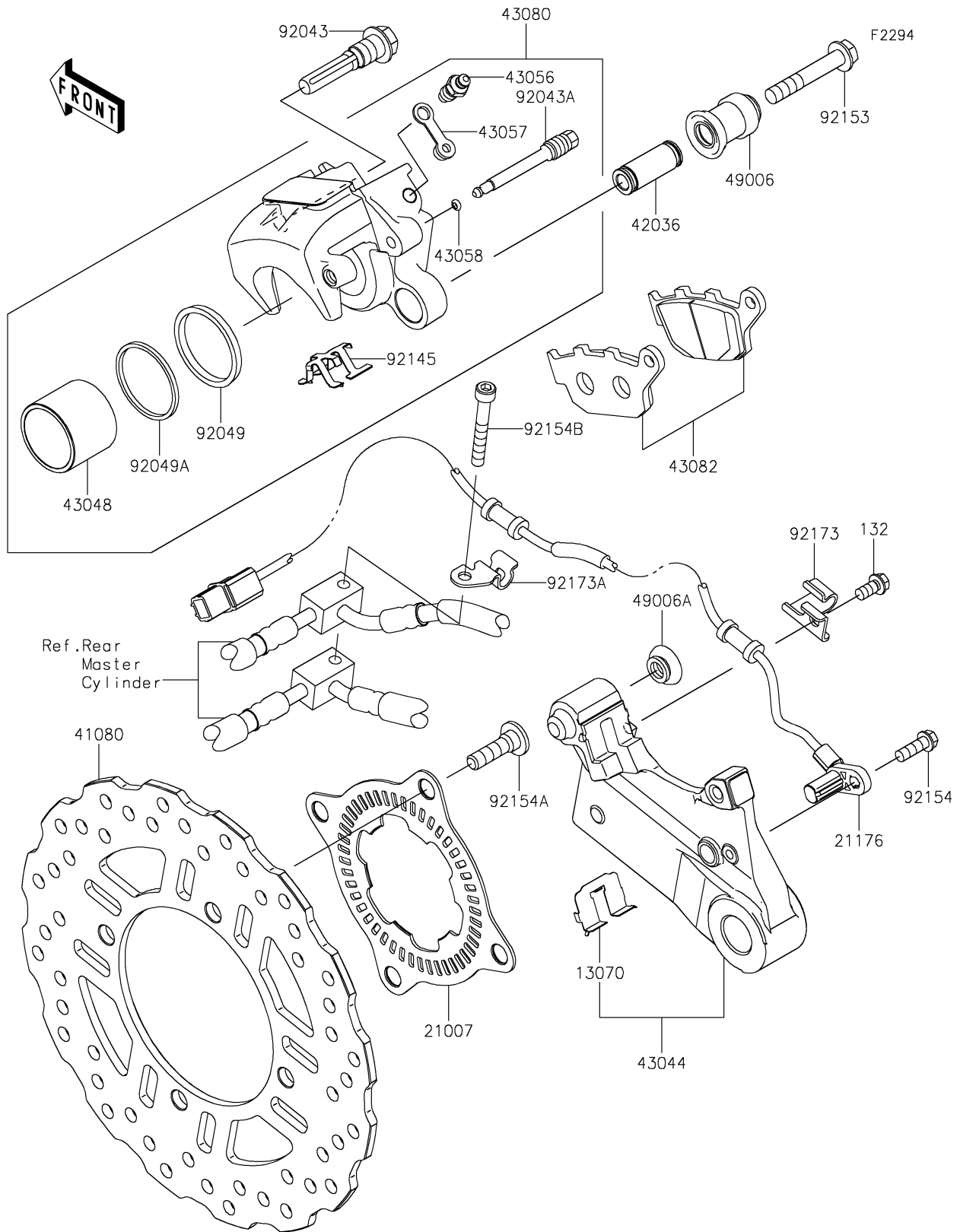


# 2022 Z900 PARTS DIAGRAM

## Rear Brake



## 2022 Z900 PARTS LIST

### Rear Brake

| ITEM NAME                               | PART NUMBER   | QUANTITY |
|---|---------------|----------|
| GUIDE,BRACKET RETAINER (Ref # 13070)    | 13070-0795    | 1        |
| ROTOR,SENSOR,RR (Ref # 21007)           | 21007-0645    | 1        |
| SENSOR,SPEED,RR (Ref # 21176)           | 21176-0912    | 1        |
| DISC,RR (Ref # 41080)                   | 41080-0668    | 1        |
| SLEEVE (Ref # 42036)                    | 42036-0050    | 1        |
| HOLDER-COMP-CALIPER (Ref # 43044)       | 43044-0082    | 1        |
| PISTON-CALIPER (Ref # 43048)            | 43048-0008    | 1        |
| BREATHER (Ref # 43056)                  | 43056-1055    | 1        |
| CAP-BREATHER (Ref # 43057)              | 43057-1001    | 1        |
| RING,STOPPER (Ref # 43058)              | 43058-1100    | 1        |
| CALIPER-SUB-ASSY,RR,BLACK (Ref # 43080) | 43080-0156-DJ | 1        |
| PAD-ASSY-BRAKE (Ref # 43082)            | 43082-0151    | 1        |
| BOOT (Ref # 49006)                      | 49006-0058    | 1        |
| BOOT,CALIPER (Ref # 49006A)             | 49006-1242    | 1        |
| PIN (Ref # 92043)                       | 92043-0137    | 1        |
| PIN,HANGER (Ref # 92043A)               | 92043-0820    | 1        |
| SEAL-OIL (Ref # 92049)                  | 92049-1449    | 1        |
| SEAL-OIL (Ref # 92049A)                 | 92049-1450    | 1        |
| SPRING,PAD (Ref # 92145)                | 92145-0493    | 1        |
| BOLT,FLANGED (Ref # 92153)              | 92153-1826    | 1        |
| BOLT,FLANGED,6X18 (Ref # 92154)         | 92154-0784    | 1        |
| BOLT,SOCKET,8X30 (Ref # 92154A)         | 92154-0844    | 4        |
| BOLT-SOCKET,6X45 (Ref # 92154B)         | 92154-4311    | 1        |
| CLAMP,CALIPER HOLDER (Ref # 92173)      | 92173-1637    | 1        |
| CLAMP (Ref # 92173A)                    | 92173-2107    | 1        |
| BOLT-FLANGED-SMALL,6X12 (Ref # 132)     | 132BA0612     | 1        |