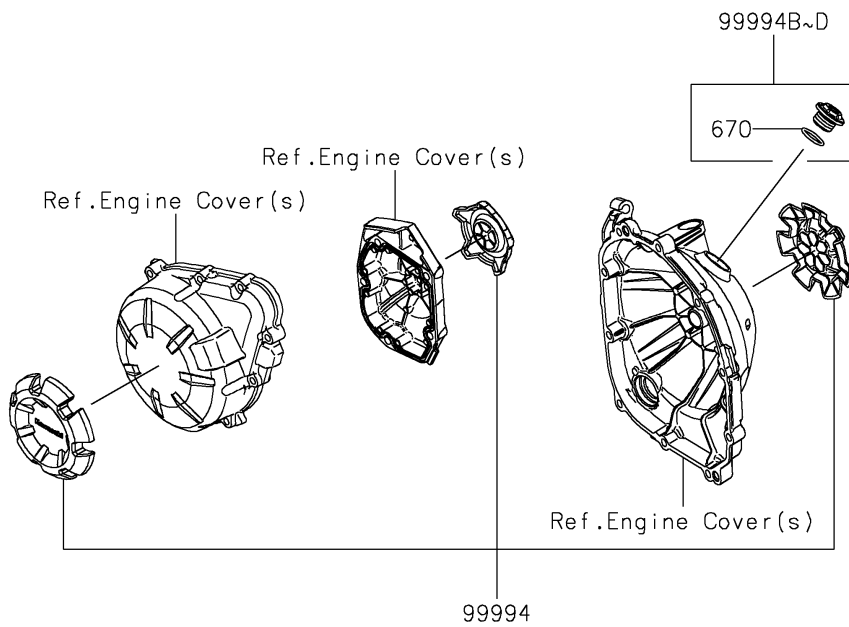
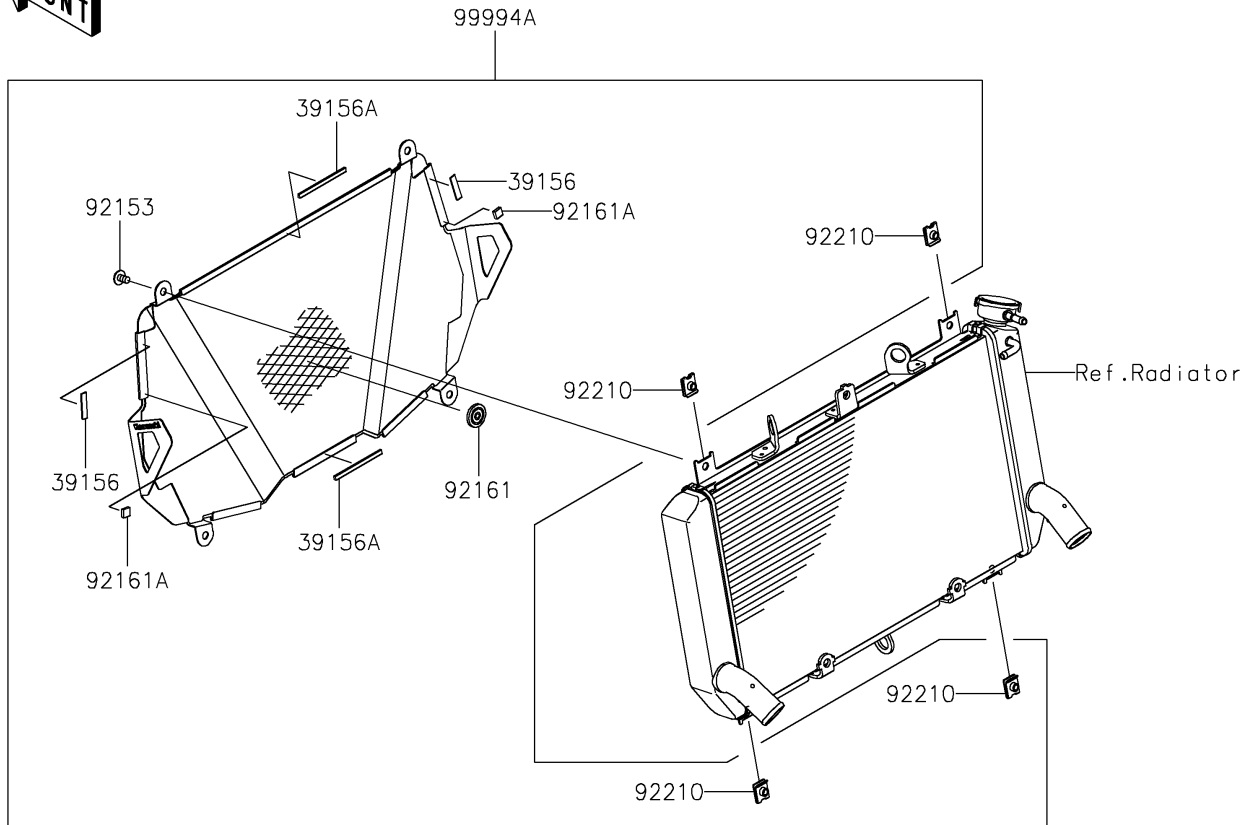


2022 Z900 PARTS DIAGRAM

Accessory(ENG. Cover Ring and Cap)

F2910C



2022 Z900 PARTS LIST

Accessory(ENG. Cover Ring and Cap)

ITEM NAME	PART NUMBER	QUANTITY
PAD,6X25X1 (Ref # 39156)	39156-2167	2
PAD,4X60X2 (Ref # 39156A)	39156-2189	2
BOLT,SOCKET,6X10 (Ref # 92153)	92153-1527	4
DAMPER,8X22X10 (Ref # 92161)	92161-1685	1
DAMPER (Ref # 92161A)	92161-1976	2
NUT (Ref # 92210)	92210-1518	4
KIT-ACCESSORY,ENG. COVER RING (Ref # 99994)	99994-0868	1
KIT-ACCESSORY,SE RAD. SCREEN (Ref # 99994A)	99994-0871	1
KIT-ACC,OIL FILLER CAP,WHITE (Ref # 99994B)	99994-1018	1
KIT-ACC,OIL FILLER CAP,BLACK (Ref # 99994C)	99994-1229	1
KIT-ACC,OIL FILLER CAP,GOLD (Ref # 99994D)	99994-1245	1
O RING,20MM (Ref # 670)	670B2020	1