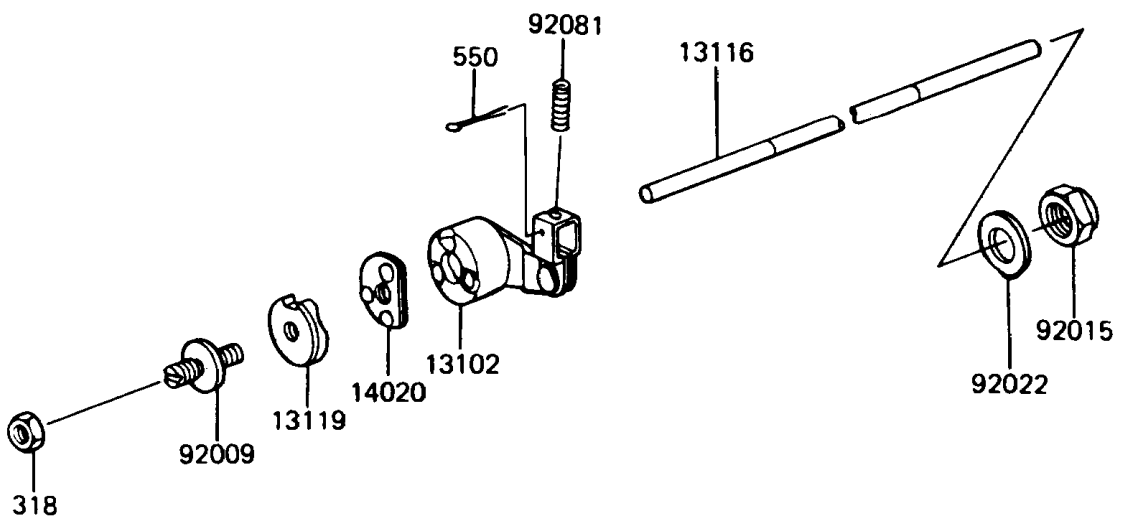
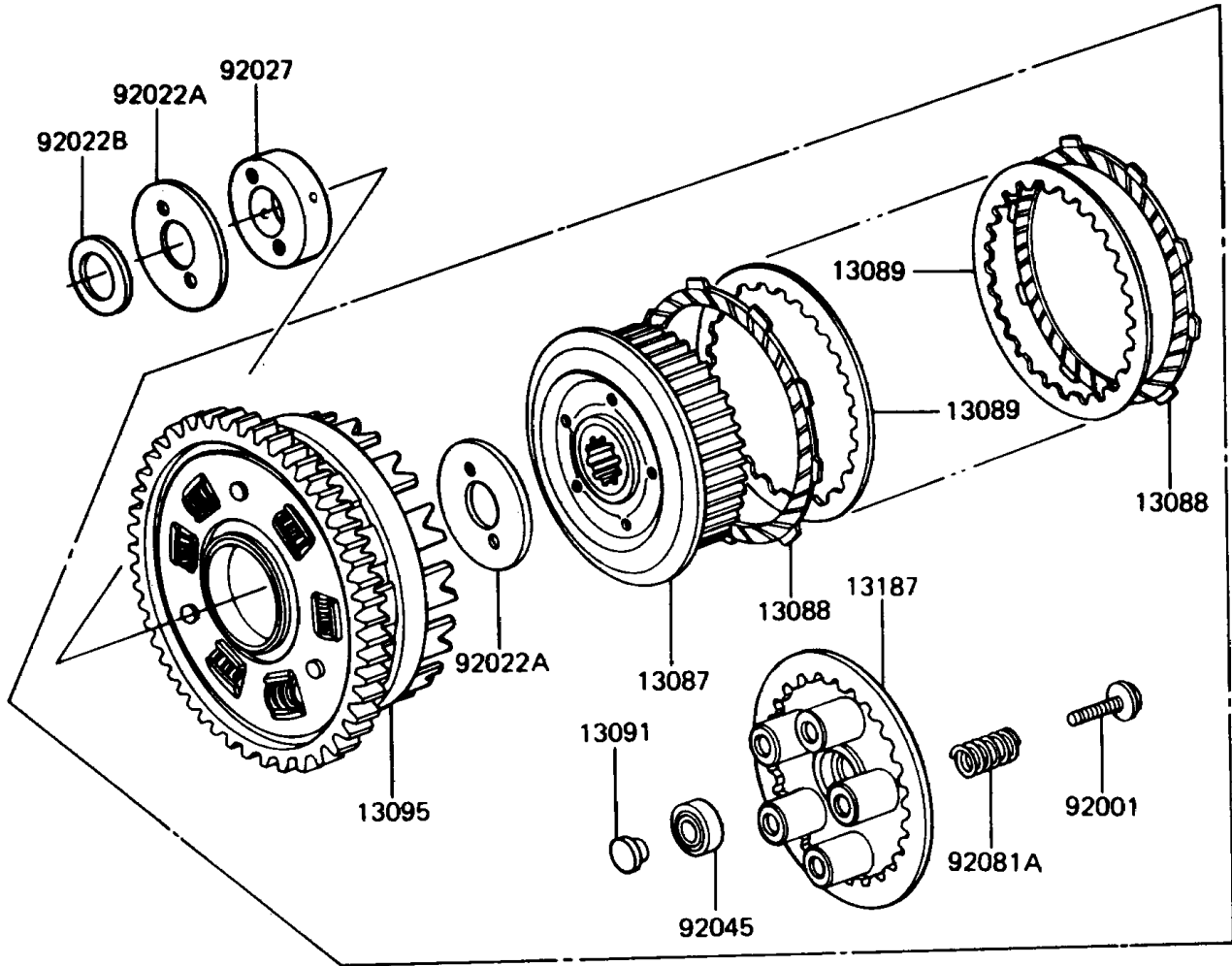


1991 Police 1000 PARTS DIAGRAM

Clutch

E1350-0047



1991 Police 1000 PARTS LIST

Clutch

| ITEM NAME | PART NUMBER | QUANTITY |
|---------------------------------------|-------------|----------|
| HUB-CLUTCH (Ref # 13087) | 13087-1015 | 1 |
| PLATE-FRICTION (Ref # 13088) | 13088-1013 | 9 |
| PLATE-CLUTCH,T=2.3 (Ref # 13089) | 13089-1004 | 8 |
| HOLDER,CLUTCH PUSH ROD (Ref # 13091) | 13091-1085 | 1 |
| HOUSING-COMP-CLUTCH (Ref # 13095) | 13095-1037 | 1 |
| RELEASE-COMP-CLUTCH (Ref # 13102) | 13102-1012 | 1 |
| ROD-PUSH,CLUTCH (Ref # 13116) | 13116-1148 | 1 |
| CAM-RELEASE,CLUTCH (Ref # 13119) | 13119-1003 | 1 |
| PLATE-CLUTCH OPERATING (Ref # 13187) | 13187-1006 | 1 |
| RETAINER,CLUTCH RELEASE (Ref # 14020) | 14020-1091 | 1 |
| BOLT,FLANGED,6X18 (Ref # 92001) | 92001-1066 | 5 |
| SCREW,8MM (Ref # 92009) | 92009-1009 | 1 |
| NUT,20MM (Ref # 92015) | 92015-1555 | 1 |
| WASHER,20.3X36X2.3 (Ref # 92022) | 92022-1116 | 1 |
| WASHER,CLUTCH THRUST (Ref # 92022A) | 92022-1221 | 2 |
| WASHER,25.3X36X2.5 (Ref # 92022B) | 92022-1223 | 1 |
| COLLAR,25X57X16.1 (Ref # 92027) | 92027-1284 | 1 |
| BEARING-BALL,6001C3ML01 (Ref # 92045) | 92045-1235 | 1 |
| SPRING,CLUTCH RELEASE (Ref # 92081) | 92081-069 | 1 |
| SPRING,CLUTCH (Ref # 92081A) | 92081-1033 | 5 |
| NUT-HEX-SMALL,8MM (Ref # 318) | 318B0800 | 1 |
| PIN-COTTER,1.6X15 (Ref # 550) | 550D1615 | 1 |