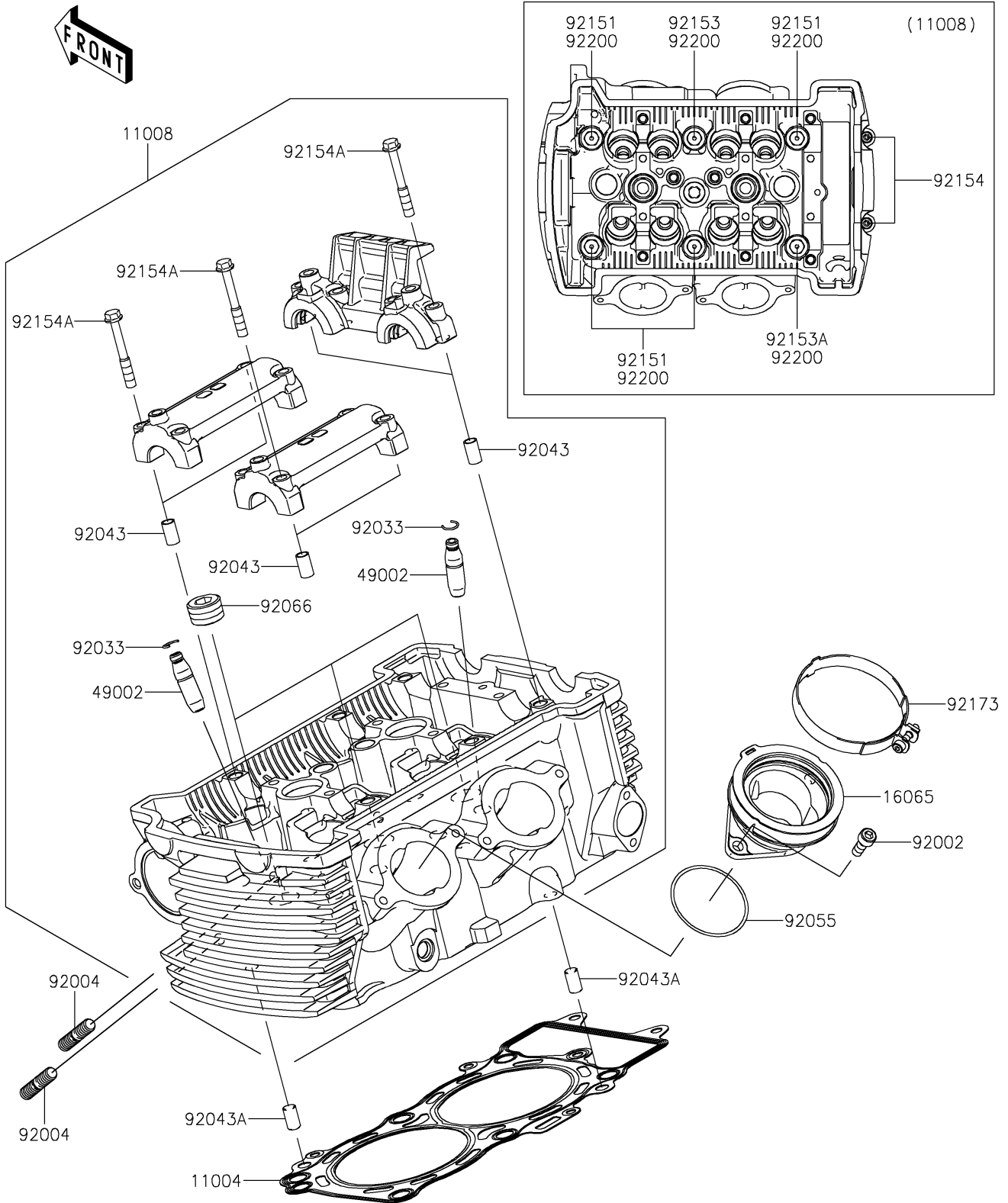


# 2021 VULCAN® S PARTS DIAGRAM

Cylinder Head

E1111



## 2021 VULCAN® S PARTS LIST

### Cylinder Head

| ITEM NAME                               | PART NUMBER | QUANTITY |
|---|-------------|----------|
| GASKET-HEAD (Ref # 11004)               | 11004-0064  | 1        |
| HEAD-COMP-CYLINDER (Ref # 11008)        | 11008-0992  | 1        |
| HOLDER-CARBURETOR (Ref # 16065)         | 16065-0128  | 2        |
| GUIDE-VALVE (Ref # 49002)               | 49002-1116  | 8        |
| BOLT,6X16 (Ref # 92002)                 | 92002-1143  | 4        |
| STUD,8X22 (Ref # 92004)                 | 92004-0025  | 4        |
| RING-SNAP (Ref # 92033)                 | 92033-1247  | 8        |
| PIN,6.2X8X14 (Ref # 92043)              | 92043-1263  | 6        |
| PIN,8X14 (Ref # 92043A)                 | 92043-1567  | 2        |
| RING-O,47X1.9 (Ref # 92055)             | 92055-1600  | 2        |
| PLUG,PT1/2X12.5 (Ref # 92066)           | 92066-0002  | 3        |
| BOLT,10X158 (Ref # 92151)               | 92151-1152  | 4        |
| BOLT,FLANGED-SMALL,10X176 (Ref # 92153) | 92153-0972  | 1        |
| BOLT,FLANGED-SMALL,10X80 (Ref # 92153A) | 92153-1321  | 1        |
| BOLT,SOCKET,6X30 (Ref # 92154)          | 92154-0116  | 2        |
| BOLT,FLANGED,6X45 (Ref # 92154A)        | 92154-3737  | 12       |
| CLAMP (Ref # 92173)                     | 92173-0239  | 2        |
| WASHER,10.5X19X2.3 (Ref # 92200)        | 92200-0363  | 6        |