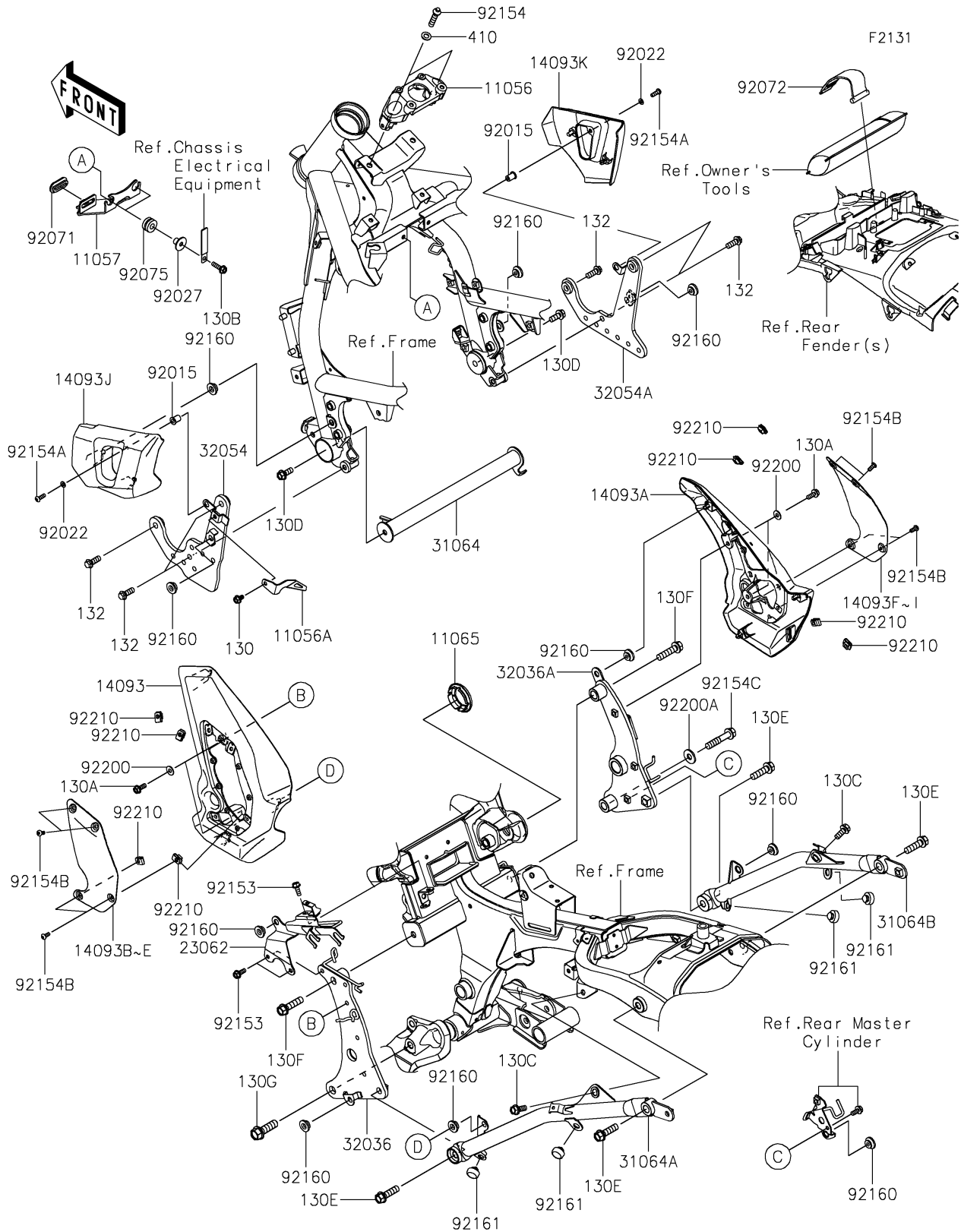


# 2021 VULCAN® S PARTS DIAGRAM

## Frame Fittings



# 2021 VULCAN® S PARTS LIST

Frame Fittings

ITEM NAME	PART NUMBER	QUANTITY
-----------	-------------	----------