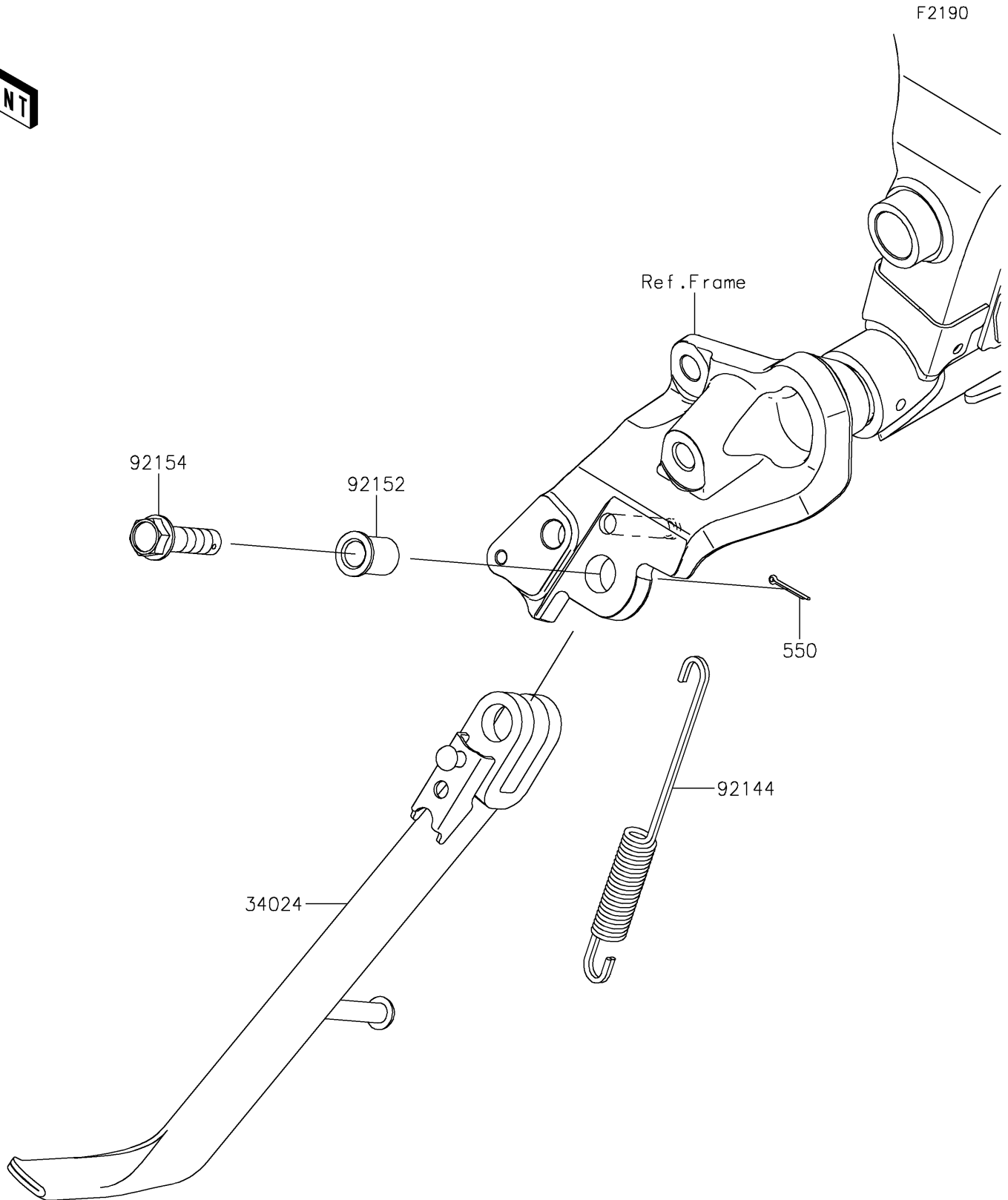


# 2022 VULCAN® S PARTS DIAGRAM

Stand(s)



# 2022 VULCAN® S PARTS LIST

Stand(s)

ITEM NAME	PART NUMBER	QUANTITY
-----------	-------------	----------