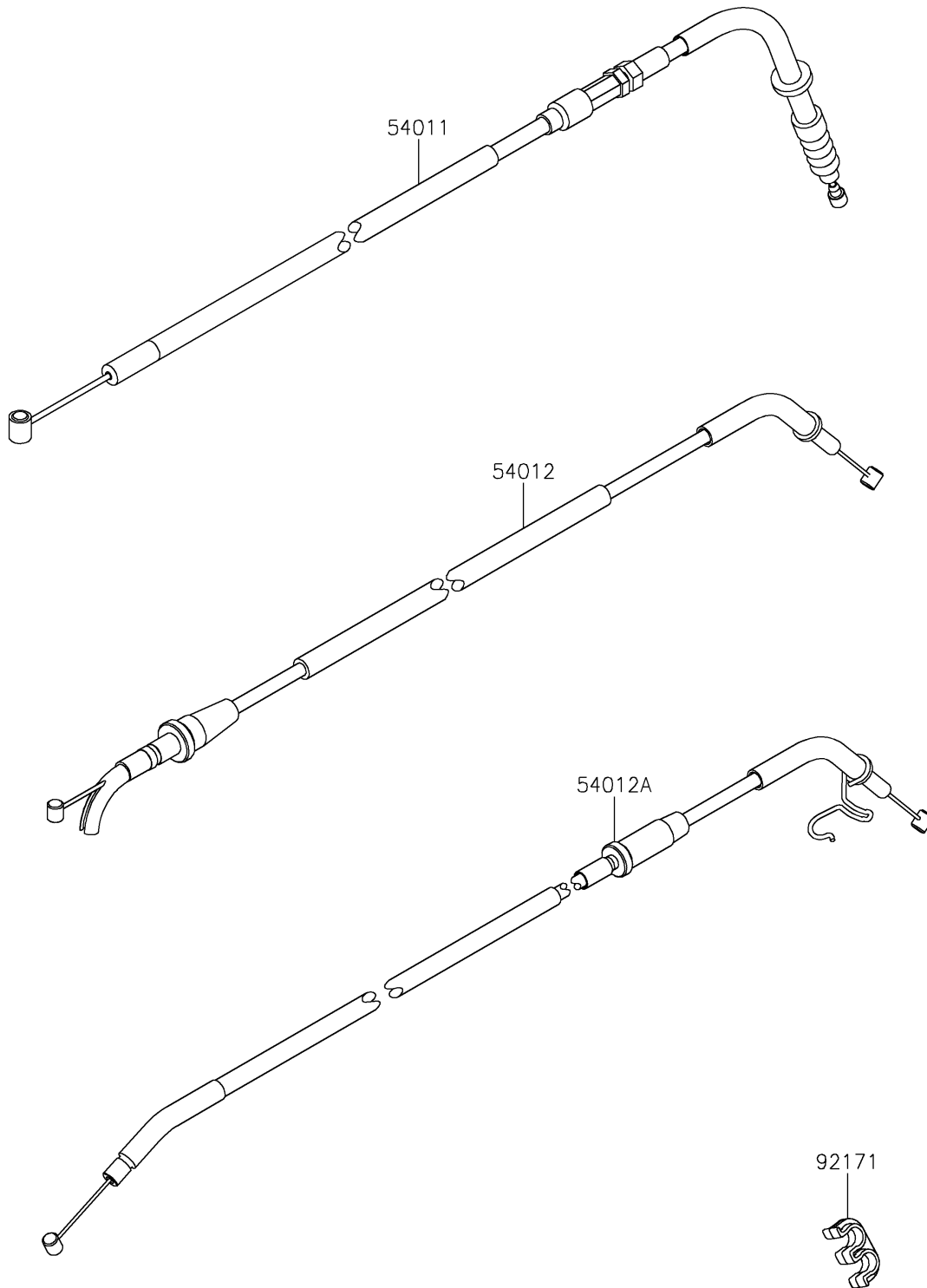


2022 VULCAN® S PARTS DIAGRAM

Cables

F2540



2022 VULCAN® S PARTS LIST

Cables

| ITEM NAME | PART NUMBER | QUANTITY |
|---------------------------------------|-------------|----------|
| CABLE-CLUTCH (Ref # 54011) | 54011-0590 | 1 |
| CABLE-THROTTLE,OPENING (Ref # 54012) | 54012-0613 | 1 |
| CABLE-THROTTLE,CLOSING (Ref # 54012A) | 54012-0614 | 1 |
| CLAMP (Ref # 92171) | 92171-0817 | 1 |