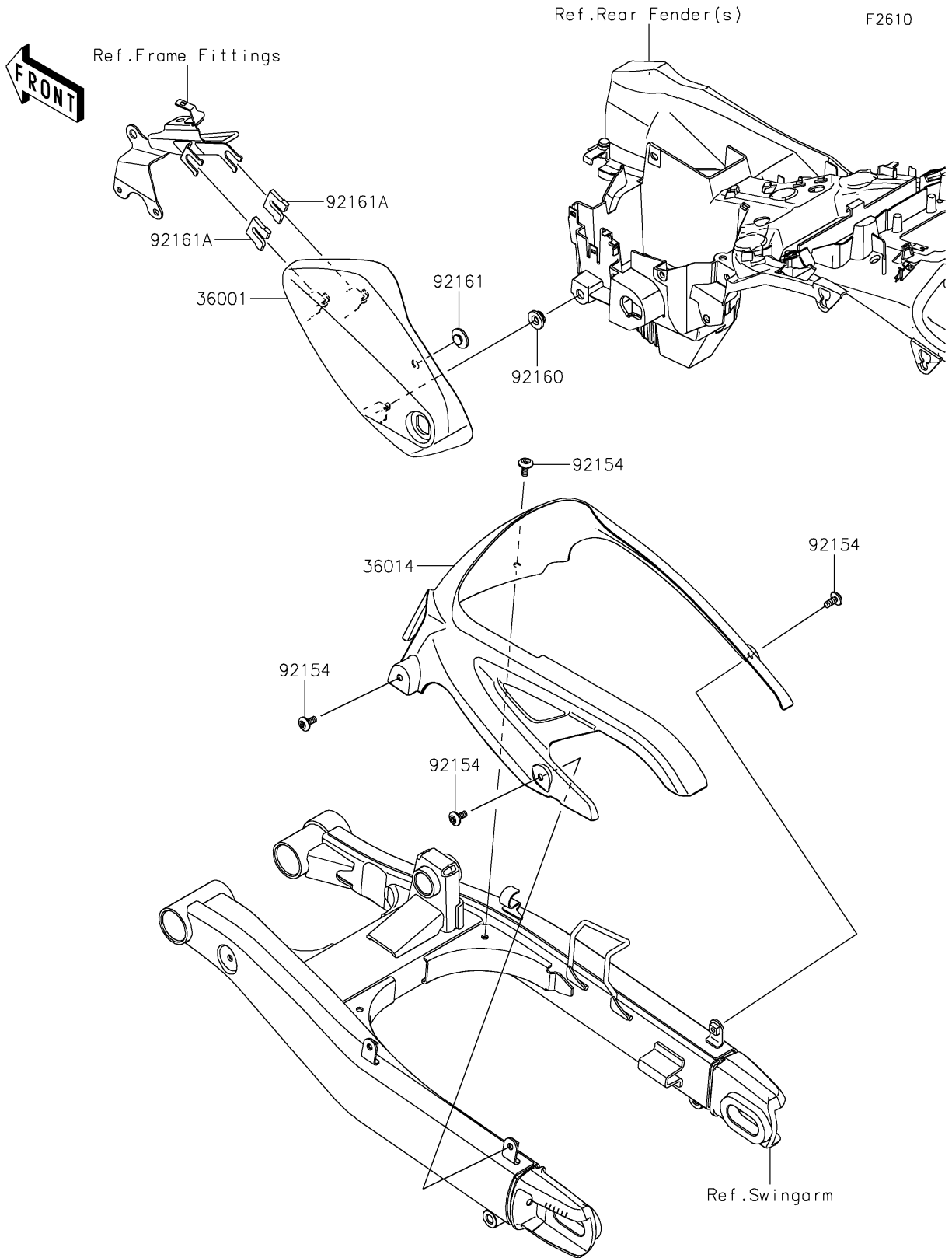


# 2021 VULCAN® S PARTS DIAGRAM

## Side Covers/Chain Cover



# 2021 VULCAN® S PARTS LIST

Side Covers/Chain Cover

ITEM NAME	PART NUMBER	QUANTITY
-----------	-------------	----------