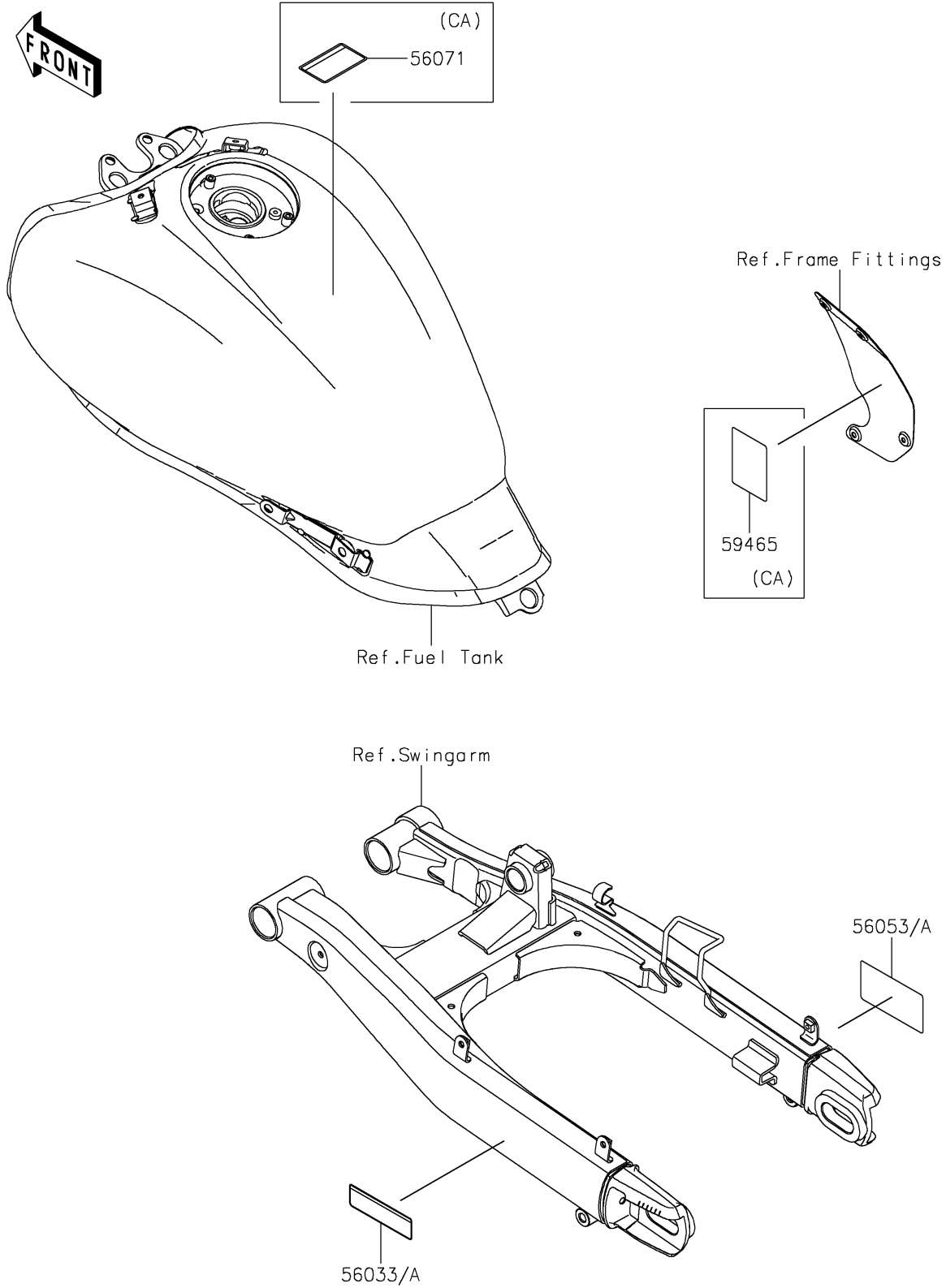


2022 VULCAN® S PARTS DIAGRAM

Labels

F2860



2022 VULCAN® S PARTS LIST

Labels

ITEM NAME	PART NUMBER	QUANTITY
LABEL-MANUAL,CHAIN (Ref # 56033)	56033-0911	1
LABEL-MANUAL,CHAIN (Ref # 56033A)	56033-0912	1
LABEL-SPECIFICATION,TIRE&LOAD (Ref # 56053)	56053-1364	1
LABEL-SPECIFICATION,TIRE&LOAD (Ref # 56053A)	56053-1370	1
LABEL-WARNING,EVAPO (Ref # 56071)	56071-0158	1
LABEL-CERTIFICATION (Ref # 59465)	59465-1871	1