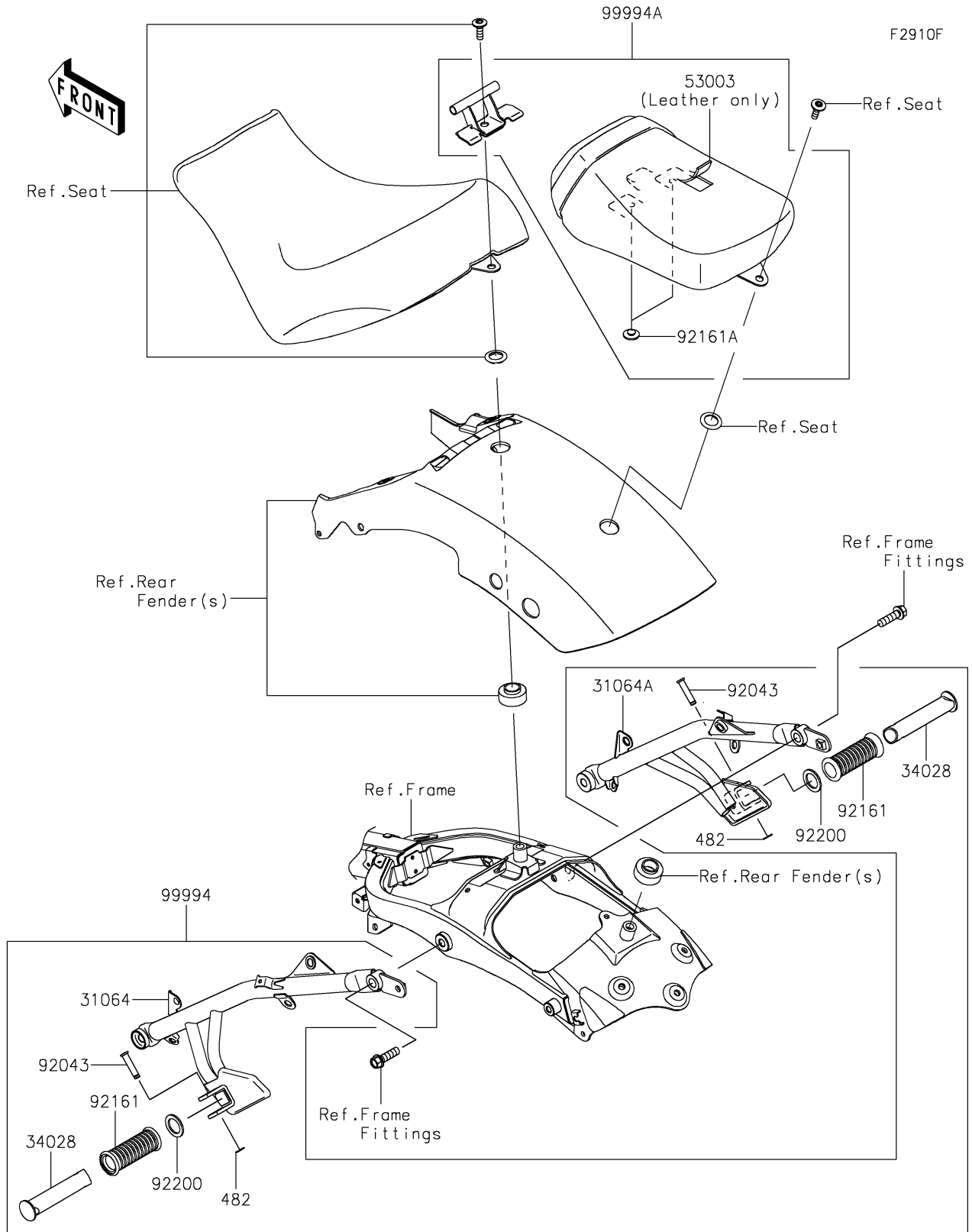


2022 VULCAN® S PARTS DIAGRAM

Accessory(Passenger Seat)



2022 VULCAN® S PARTS LIST

Accessory(Passenger Seat)

| ITEM NAME | PART NUMBER | QUANTITY |
|-----------|-------------|----------|
|-----------|-------------|----------|