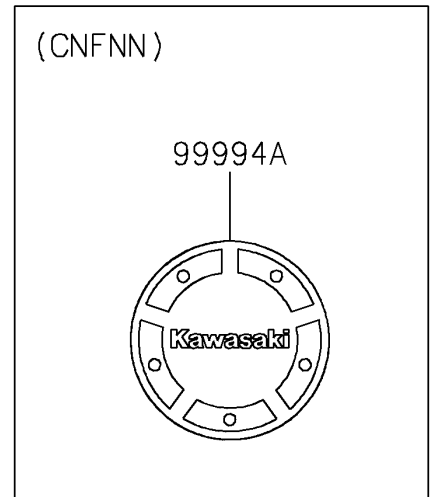
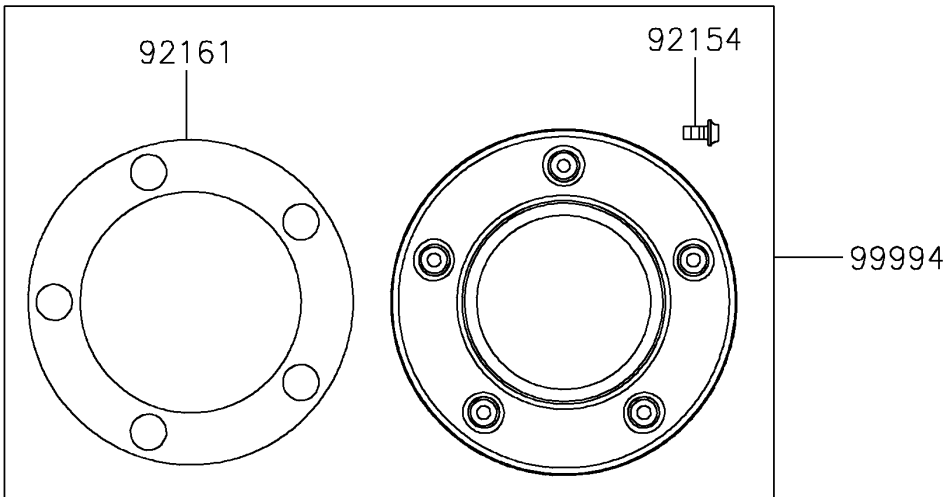


# 2022 VULCAN<sup>®</sup> S PARTS DIAGRAM

Accessory(Decals)

F2910G



## 2022 VULCAN® S PARTS LIST

### Accessory(Decals)

ITEM NAME	PART NUMBER	QUANTITY
BOLT,SOCKET,5X10 (Ref # 92154)	92154-1691	5
DAMPER (Ref # 92161)	92161-1767	1
KIT-ACCESSORY,MARK,PLATING (Ref # 99994)	99994-0580	1
KIT-ACCESSORY,MARK,KAWASAKI (Ref # 99994A)	99994-0600	1