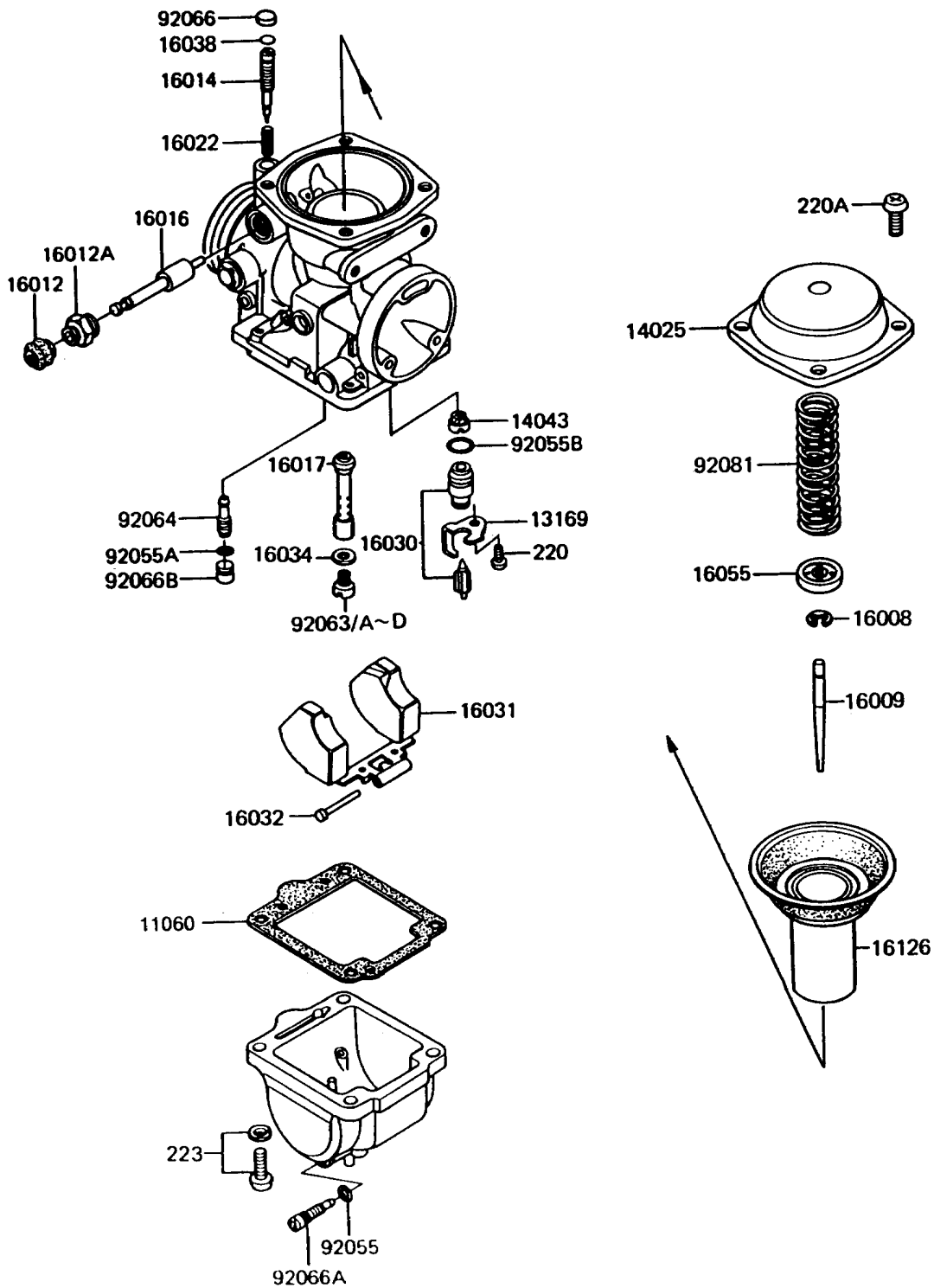


# 1994 Police 1000 PARTS DIAGRAM

## Carburetor Parts

E1612-0059



# 1994 Police 1000 PARTS LIST

## Carburetor Parts

| ITEM NAME                                | PART NUMBER | QUANTITY |
|--|-------------|----------|
| GASKET (Ref # 11060)                     | 11060-1607  | 4        |
| PLATE,FLOAT VALVE (Ref # 13169)          | 13169-1482  | 4        |
| TOP-CHAMBER,MIXING (Ref # 14025)         | 14025-1395  | 4        |
| FILTER,FLOAT VALVE (Ref # 14043)         | 14043-1010  | 4        |
| CLAMP,E-TYPE (Ref # 16008)               | 16008-014   | 4        |
| NEEDLE-JET,5GN45 (Ref # 16009)           | 16009-1285  | 4        |
| CAP-STARTER PLUNGER,RUBBER (Ref # 16012) | 16012-1010  | 4        |
| CAP-STARTER PLUNGER (Ref # 16012A)       | 16012-1011  | 4        |
| SCREW-PILOT AIR (Ref # 16014)            | 16014-1014  | 4        |
| PLUNGER (Ref # 16016)                    | 16016-1019  | 4        |
| JET-NEEDLE,#AY-1 (Ref # 16017)           | 16017-1086  | 4        |
| SPRING,PILOT SCREW (Ref # 16022)         | 16022-016   | 4        |
| VALVE-FLOAT,2.5 (Ref # 16030)            | 16030-1016  | 4        |
| FLOAT (Ref # 16031)                      | 16031-1013  | 4        |
| PIN,FLOAT (Ref # 16032)                  | 16032-008   | 4        |
| WASHER,MAIN JET (Ref # 16034)            | 16034-001   | 4        |
| GASKET,"O"RING (Ref # 16038)             | 16038-022   | 4        |
| PLATE,NEEDLE (Ref # 16055)               | 16055-010   | 4        |
| VALVE,DIAPHRAGM (Ref # 16126)            | 16126-1149  | 4        |
| RING-O (Ref # 92055)                     | 92055-044   | 4        |
| RING-O,CHECK VALVE (Ref # 92055A)        | 92055-1059  | 4        |
| RING-O (Ref # 92055B)                    | 92055-1105  | 4        |
| JET-MAIN,#A127.5 (Ref # 92063)           | 92063-1100  | 4        |
| JET-MAIN,#A122.5 (Ref # 92063A)          | 92063-1101  | 4        |
| JET-MAIN,#A125 (Ref # 92063B)            | 92063-1102  | 4        |
| JET-MAIN,#A130 (Ref # 92063C)            | 92063-1103  | 4        |
| JET-MAIN,#A132.5 (Ref # 92063D)          | 92063-1104  | 4        |
| JET-PILOT,#A37.5 (Ref # 92064)           | 92064-1036  | 4        |
| PLUG,PILOT AIR SCREW,6.9X2 (Ref # 92066) | 92066-1051  | 4        |

# 1994 Police 1000 PARTS LIST

## Carburetor Parts

| ITEM NAME                            | PART NUMBER | QUANTITY |
|--------------------------------------|-------------|----------|
| PLUG,DRAIN (Ref # 92066A)            | 92066-1064  | 4        |
| PLUG,PILOT JET (Ref # 92066B)        | 92066-1087  | 4        |
| SPRING,DIAPHRAGM VALVE (Ref # 92081) | 92081-1363  | 4        |
| SCREW-PAN-CROS,4X6 (Ref # 220)       | 220B0406    | 4        |
| SCREW-PAN-CROS,5X8 (Ref # 220A)      | 220B0508    | 14       |
| SCREW-PAN-WS-CROS (Ref # 223)        | 223B0516    | 16       |