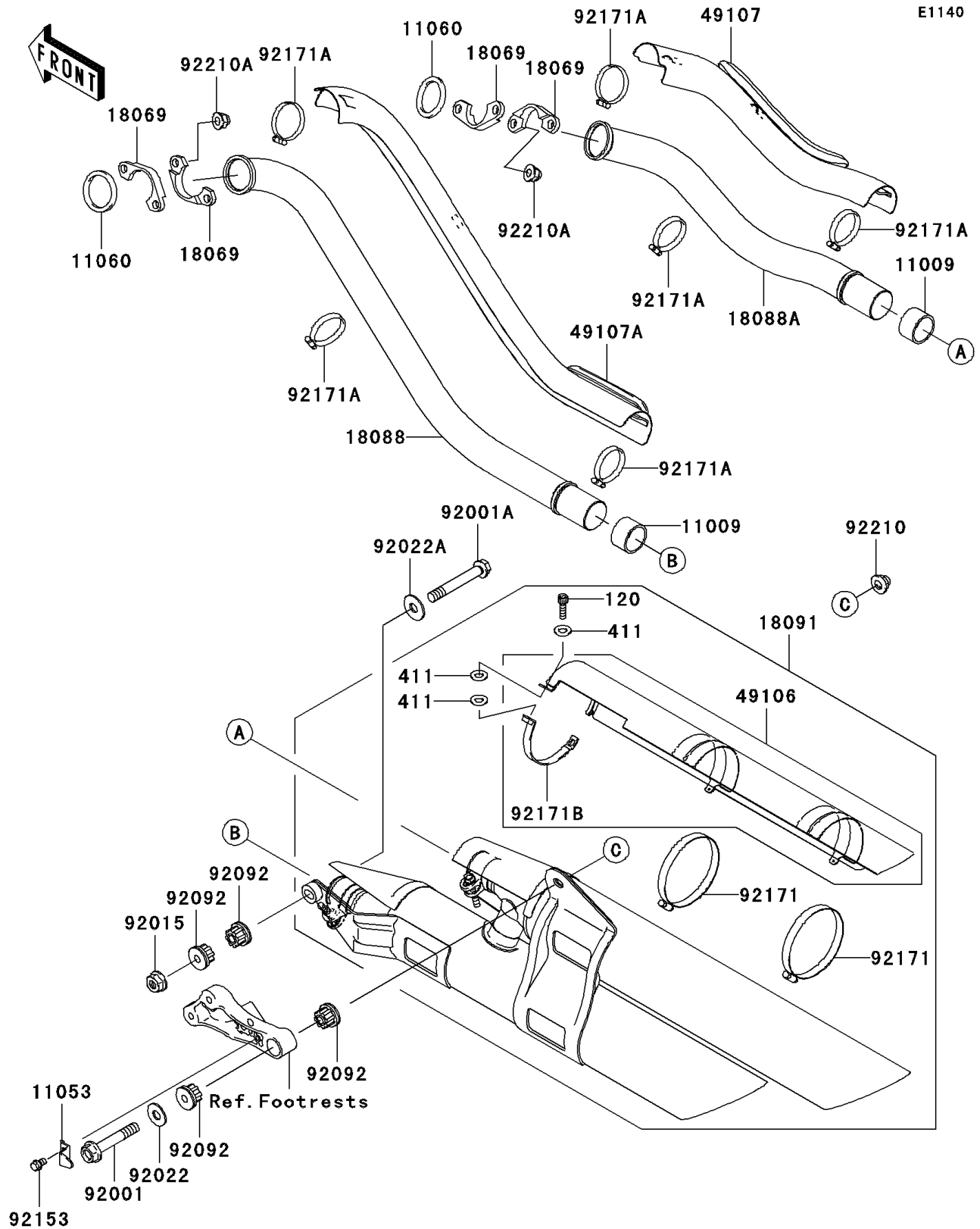


2007 Vulcan 1600 Classic PARTS DIAGRAM

Muffler(s)



2007 Vulcan 1600 Classic PARTS LIST

Muffler(s)

ITEM NAME	PART NUMBER	QUANTITY
BOLT-SOCKET,6X20 (Ref # 120)	120R0620	1
WASHER-PLAIN,6MM (Ref # 411)	411S0600	3
GASKET,EXHAUST PIPE CONNECTING (Ref # 11009)	11009-1666	2
BRACKET (Ref # 11053)	11053-0267	1
GASKET,EXHAUST PIPE (Ref # 11060)	11060-1119	2
HOLDER-EXHAUST PIPE (Ref # 18069)	18069-1161	4
PIPE-EXHAUST,FR (Ref # 18088)	18088-1246	1
PIPE-EXHAUST,RR (Ref # 18088A)	18088-1247	1
BODY-COMP-MUFFLER (Ref # 18091)	18091-0192	1
COVER-MUFFLER (Ref # 49106)	49106-0007	1
COVER-EXHAUST PIPE,RR (Ref # 49107)	49107-0010	1
COVER-EXHAUST PIPE,FR (Ref # 49107A)	49107-0016	1
BOLT,FLANGED,10X60 (Ref # 92001)	92001-1617	1
BOLT,FLANGED,10X70 (Ref # 92001A)	92001-1618	1
NUT,10MM (Ref # 92015)	92015-1356	1
WASHER,10.5X26X2.3 (Ref # 92022)	92022-044	1
WASHER,10.5X30X2.3,BLACK (Ref # 92022A)	92022-1302	1
BUSHING-RUBBER,MUFFLER (Ref # 92092)	92092-1013	4
BOLT,6X10 (Ref # 92153)	92153-0381	1
CLAMP (Ref # 92171)	92171-0048	2
CLAMP (Ref # 92171A)	92171-0072	6
CLAMP (Ref # 92171B)	92171-0373	1
NUT,CAP,10MM (Ref # 92210)	92210-1121	1
NUT,CAP,8MM (Ref # 92210A)	92210-1132	4