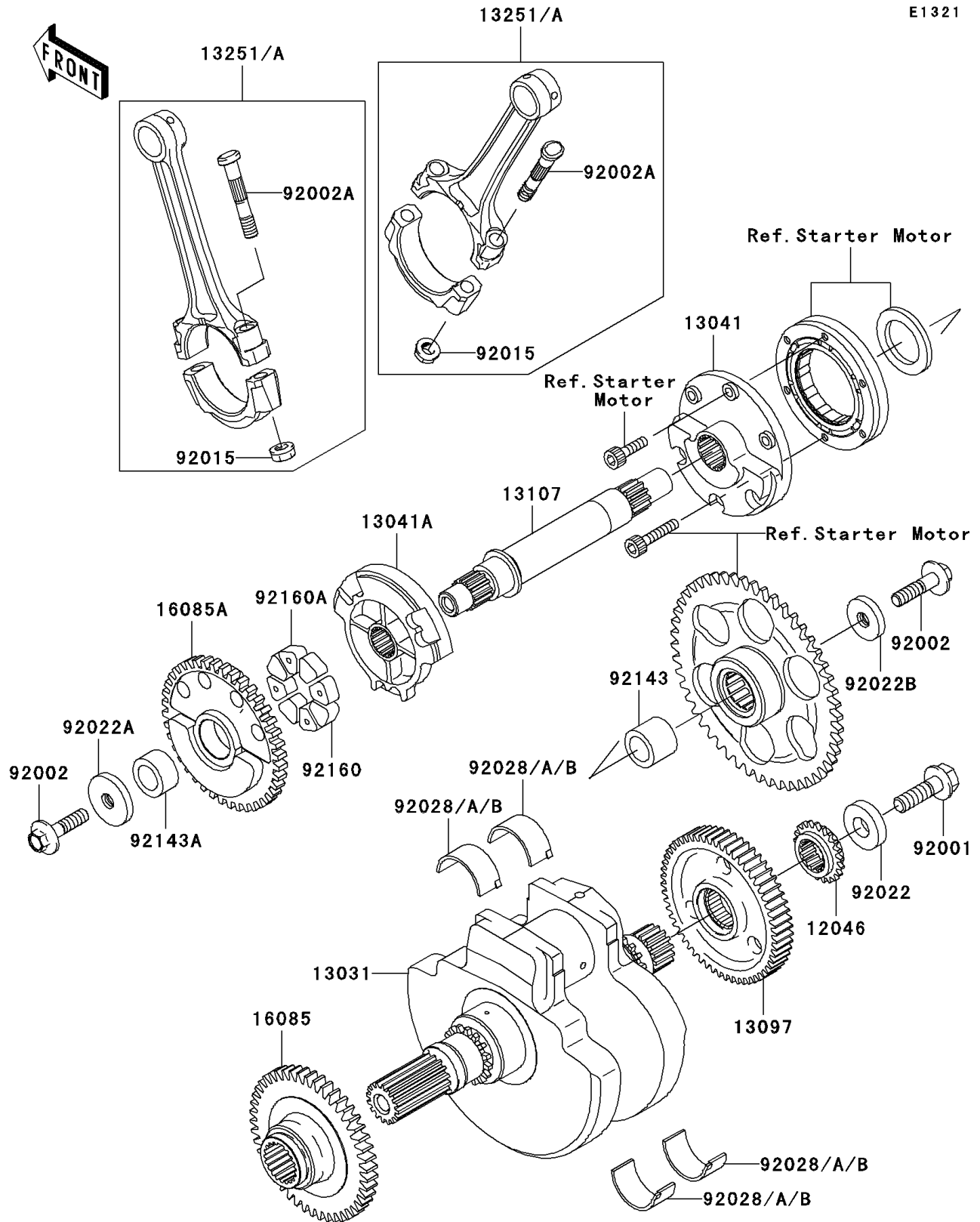


# 2006 Vulcan 1600 Classic PARTS DIAGRAM

Crankshaft

E1321



## 2006 Vulcan 1600 Classic PARTS LIST

### Crankshaft

| ITEM NAME                                   | PART NUMBER   | QUANTITY |
|---|---------------|----------|
| SPROCKET,WATER PUMP (Ref # 12046)           | 12046-1103    | 1        |
| CRANKSHAFT-COMP (Ref # 13031)               | 13031-0019    | 1        |
| BALANCER,RH (Ref # 13041)                   | 13041-1089    | 1        |
| BALANCER,LH (Ref # 13041A)                  | 13041-1093    | 1        |
| GEAR-PRIMARY SPUR,56T (Ref # 13097)         | 13097-1369    | 1        |
| SHAFT,BALANCER (Ref # 13107)                | 13107-1524    | 1        |
| ROD-ASSY-CONNECTING,D (Ref # 13251)         | 13251-1147-DD | 2        |
| ROD-ASSY-CONNECTING,G (Ref # 13251A)        | 13251-1147-GG | 2        |
| GEAR,BALANCER,46T (Ref # 16085)             | 16085-0023    | 1        |
| GEAR,BALANCER,46T (Ref # 16085A)            | 16085-1366    | 1        |
| BOLT,FLANGED,12X40 (Ref # 92001)            | 92001-1146    | 1        |
| BOLT,FLANGED,10X40 (Ref # 92002)            | 92002-1296    | 2        |
| BOLT,CONNECTING ROD (Ref # 92002A)          | 92002-1896    | 4        |
| NUT,CONNECTING ROD (Ref # 92015)            | 92015-1643    | 4        |
| WASHER,12X40X6 (Ref # 92022)                | 92022-1904    | 1        |
| WASHER,10X40X6 (Ref # 92022A)               | 92022-1905    | 1        |
| WASHER,10X33X6 (Ref # 92022B)               | 92022-1906    | 1        |
| BUSHING,CONNECTING ROD,BLUE (Ref # 92028)   | 92028-1474    | AR       |
| BUSHING,CONNECTING ROD,BLACK (Ref # 92028A) | 92028-1475    | AR       |
| BUSHING,CONNECTING ROD,BROWN (Ref # 92028B) | 92028-1476    | AR       |
| COLLAR,20X30X24 (Ref # 92143)               | 92143-1093    | 1        |
| COLLAR,20X31X16 (Ref # 92143A)              | 92143-1821    | 1        |
| DAMPER (Ref # 92160)                        | 92160-1725    | 4        |
| DAMPER (Ref # 92160A)                       | 92160-1726    | 4        |