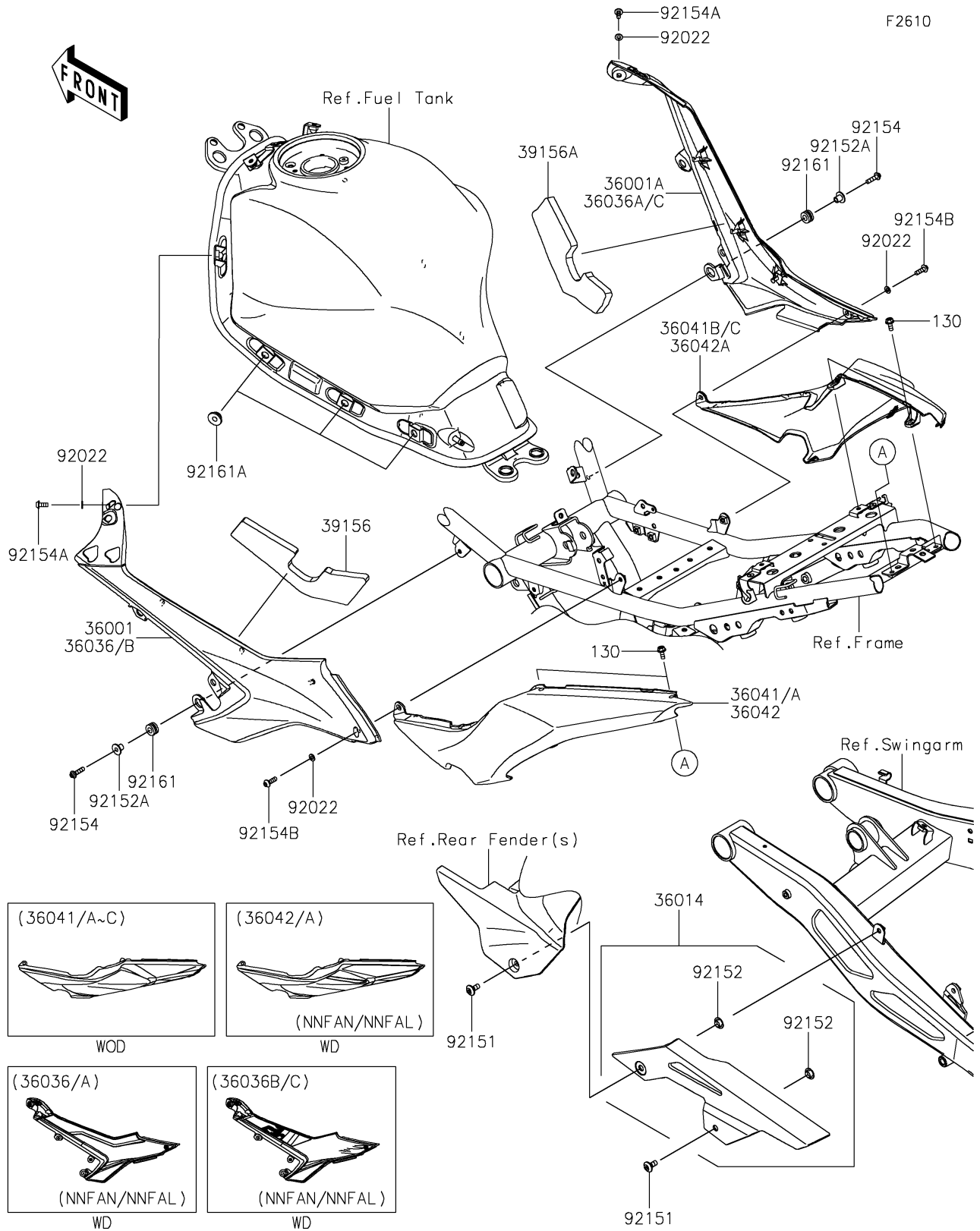


# 2022 NINJA® 650 PARTS DIAGRAM

## Side Covers/Chain Cover



## 2022 NINJA® 650 PARTS LIST

### Side Covers/Chain Cover

ITEM NAME	PART NUMBER	QUANTITY
COVER-SIDE,LH,M.M.G.GRAY (Ref # 36001)	36001-0650-68P	1
COVER-SIDE,RH,M.M.G.GRAY (Ref # 36001A)	36001-0651-68P	1
CASE-CHAIN (Ref # 36014)	36014-0044	1
COVER-SIDE,LH,EBONY (Ref # 36036)	36036-5309-H8	1
COVER-SIDE,RH,EBONY (Ref # 36036A)	36036-5310-H8	1
COVER-SIDE,LH,P.R.WHITE (Ref # 36036B)	36036-5386-68N	1
COVER-SIDE,RH,P.R.WHITE (Ref # 36036C)	36036-5387-68N	1
COVER-TAIL,LH,P.R.WHITE (Ref # 36041)	36041-0033-68N	1
COVER-TAIL,LH,M.M.G.GRAY (Ref # 36041A)	36041-0033-68P	1
COVER-TAIL,RH,P.R.WHITE (Ref # 36041B)	36041-0034-68N	1
COVER-TAIL,RH,M.M.G.GRAY (Ref # 36041C)	36041-0034-68P	1
COVER-TAIL,LH,EBONY (Ref # 36042)	36042-5167-H8	1
COVER-TAIL,RH,EBONY (Ref # 36042A)	36042-5168-H8	1
PAD,COVER-SIDE,LH (Ref # 39156)	39156-2617	1
PAD,COVER-SIDE,RH (Ref # 39156A)	39156-2618	1
WASHER,5.1X10X1.0 (Ref # 92022)	92022-1977	4
BOLT,SOCKET,6X14 (Ref # 92151)	92151-1654	2
COLLAR,8.8X11.2X4 (Ref # 92152)	92152-0909	2
COLLAR (Ref # 92152A)	92152-1592	2
BOLT,SOCKET,5X20 (Ref # 92154)	92154-0210	2
BOLT,SOCKET,5X12 (Ref # 92154A)	92154-1421	2
BOLT,SOCKET,5X16 (Ref # 92154B)	92154-1701	2
DAMPER,8X16X8.6 (Ref # 92161)	92161-0685	2
DAMPER,6X20X7.5 (Ref # 92161A)	92161-1937	6
BOLT-FLANGED,5X12 (Ref # 130)	130BA0512	4