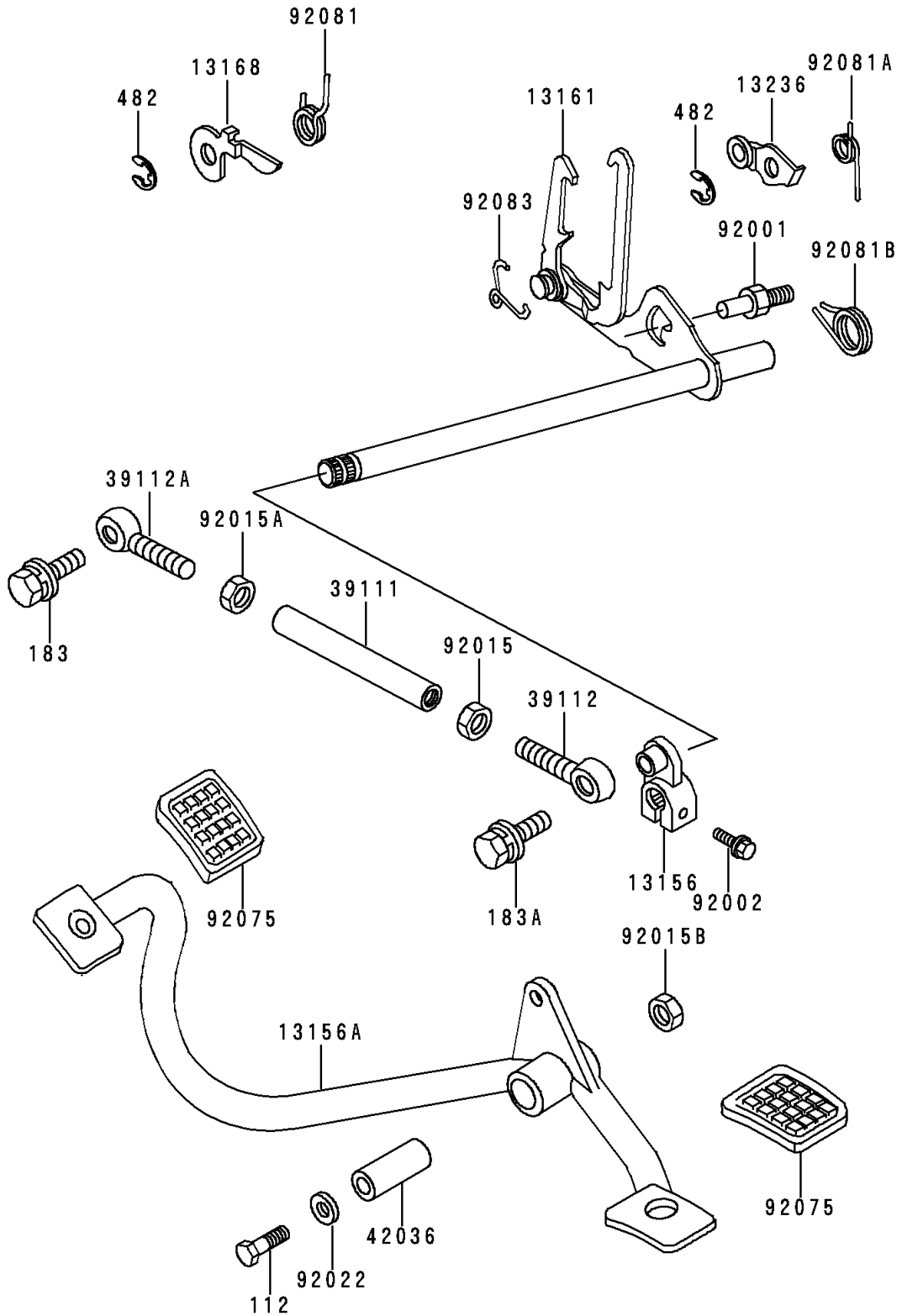


1996 Police 1000 PARTS DIAGRAM

Gear Change Mechanism

E1370



1996 Police 1000 PARTS LIST

Gear Change Mechanism

| ITEM NAME | PART NUMBER | QUANTITY |
|--|-------------|----------|
| BOLT-UPSET (Ref # 112) | 112Y1085 | 1 |
| BOLT-UPSET-WS-SMALL (Ref # 183) | 183Y0825 | 1 |
| BOLT-UPSET-WS-SMALL (Ref # 183A) | 183Y0835 | 1 |
| CIRCLIP-TYPE-E,6MM (Ref # 482) | 482J6000 | 2 |
| LEVER-CHANGE,PEDAL (Ref # 13156) | 13156-4001 | 1 |
| LEVER-CHANGE,PEDAL (Ref # 13156A) | 13156-4002 | 1 |
| LEVER-COMP-CHANGE SHAFT (Ref # 13161) | 13161-1023 | 1 |
| LEVER,GEAR POSITIONING (Ref # 13168) | 13168-1074 | 1 |
| LEVER-COMP,NEUTRAL POSITIONING (Ref # 13236) | 13236-1029 | 1 |
| ROD-TIE (Ref # 39111) | 39111-4001 | 1 |
| RODEND-TIE,RH THREAD (Ref # 39112) | 39112-1001 | 1 |
| RODEND-TIE,LH THREAD (Ref # 39112A) | 39112-1002 | 1 |
| SLEEVE,CHANGE LEVER (Ref # 42036) | 42036-4006 | 1 |
| BOLT,RETURN SPRING (Ref # 92001) | 92001-1455 | 1 |
| BOLT,6X20 (Ref # 92002) | 92002-1237 | 1 |
| NUT,RH THREAD (Ref # 92015) | 92015-1005 | 1 |
| NUT,LH THREAD (Ref # 92015A) | 92015-1006 | 1 |
| NUT,LOCK,10MM (Ref # 92015B) | 92015-1962 | 1 |
| WASHER,10.5X26X2.3 (Ref # 92022) | 92022-044 | 1 |
| DAMPER,CHANGE PEDAL (Ref # 92075) | 92075-4031 | 2 |
| SPRING,POSITIONING LEVER (Ref # 92081) | 92081-1284 | 1 |
| SPRING,NEUTRAL POSITIONING (Ref # 92081A) | 92081-1285 | 1 |
| SPRING,CHANGE PEDAL RETURN (Ref # 92081B) | 92081-1589 | 1 |
| SPRING (Ref # 92083) | 92083-018 | 1 |