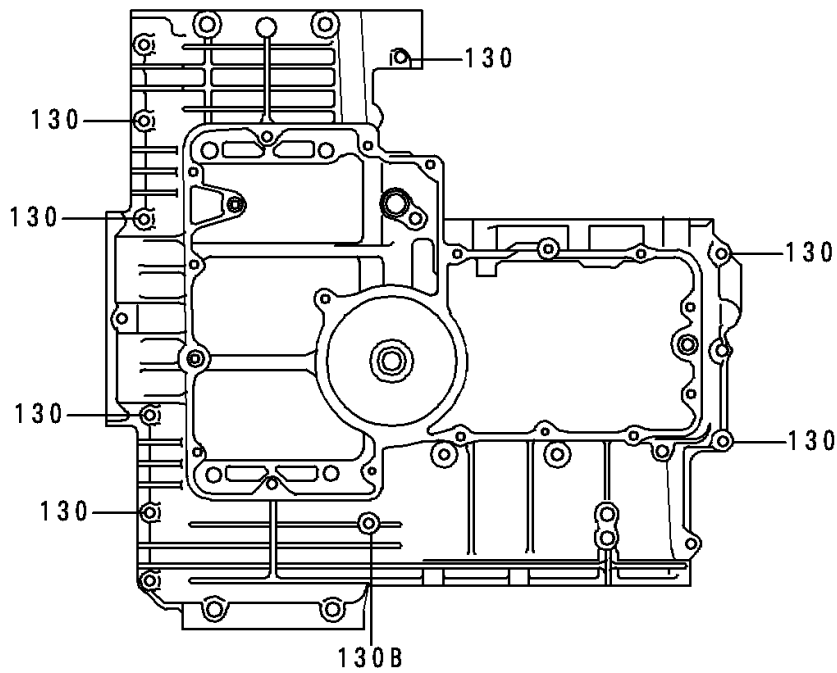
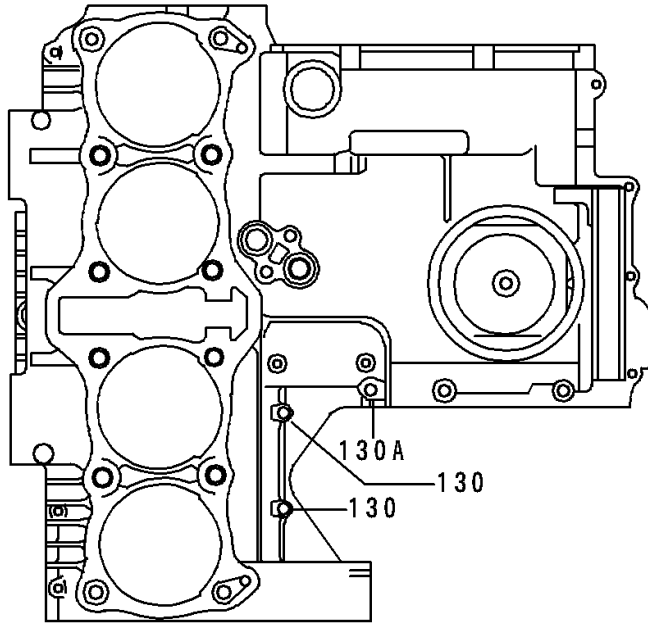


# 2000 Police 1000 PARTS DIAGRAM

## Crankcase Bolt Pattern

E1412



## 2000 Police 1000 PARTS LIST

### Crankcase Bolt Pattern

ITEM NAME	PART NUMBER	QUANTITY
BOLT-FLANGED (Ref # 130)	130Y0640	9
BOLT-FLANGED (Ref # 130A)	130Y0650	1
BOLT-FLANGED (Ref # 130B)	130Y0695	1