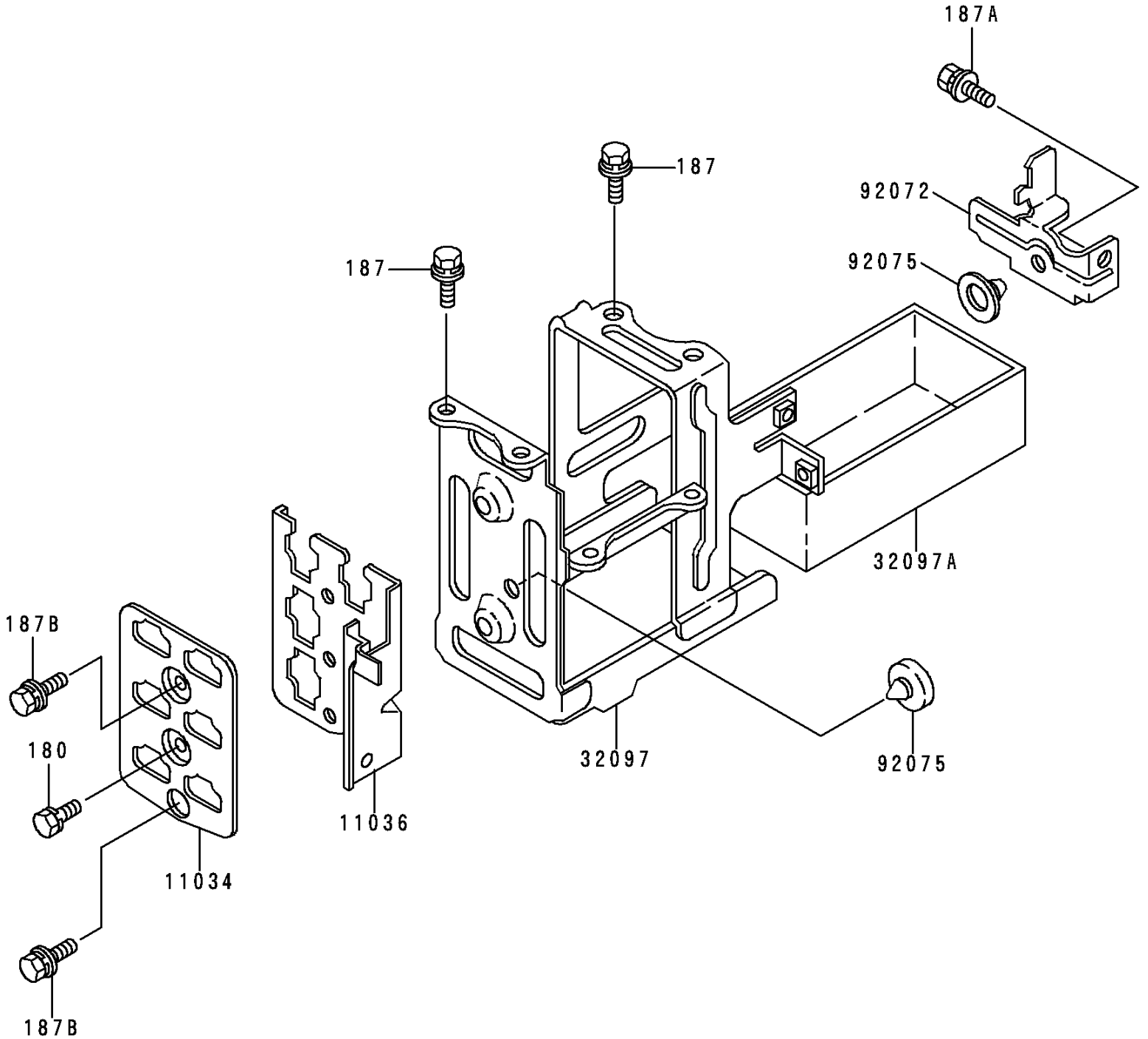


# 2000 Police 1000 PARTS DIAGRAM

Battery Case

F2132



## 2000 Police 1000 PARTS LIST

### Battery Case

ITEM NAME	PART NUMBER	QUANTITY
BOLT-UPSET-WS (Ref # 180)	180B0610	1
BOLT-UPSET-WSP (Ref # 187)	187B0614	4
BOLT-UPSET-WSP (Ref # 187A)	187B0616	1
BOLT-UPSET-WSP (Ref # 187B)	187B0622	2
BRACKET,COUPLER (Ref # 11034)	11034-1918	1
BRACKET-A,COUPLER (Ref # 11036)	11036-1783	1
CASE-BATTERY (Ref # 32097)	32097-1033	1
CASE-BATTERY,BOTTOM (Ref # 32097A)	32097-1034	1
BAND,BATTERY CASE (Ref # 92072)	92072-1213	1
DAMPER,RUBBER (Ref # 92075)	92075-078	2