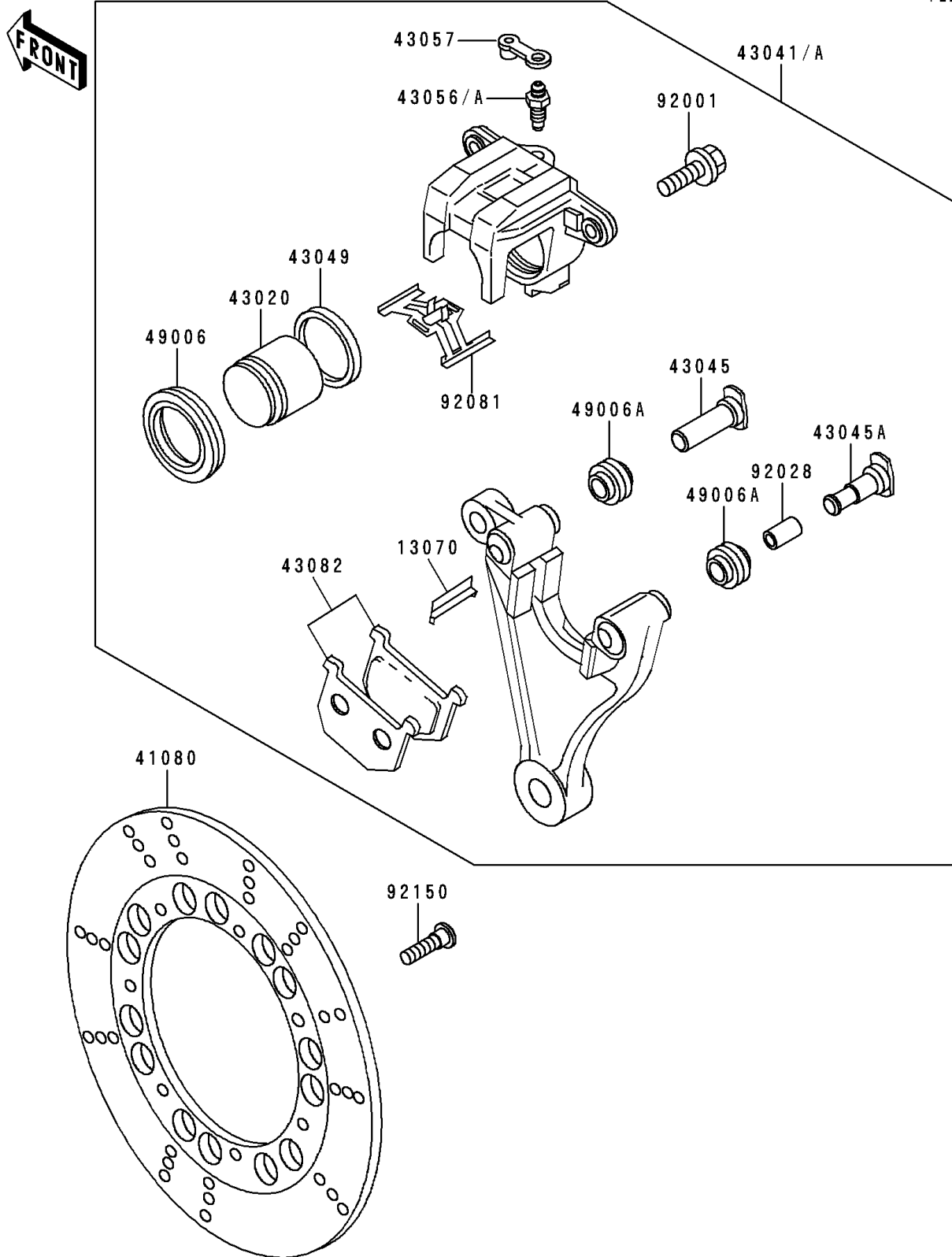


1999 Police 1000 PARTS DIAGRAM

Rear Brake

F2294



1999 Police 1000 PARTS LIST

Rear Brake

| ITEM NAME | PART NUMBER | QUANTITY |
|---------------------------------------|-------------|----------|
| GUIDE,PAD (Ref # 13070) | 13070-1026 | 2 |
| DISC,RR,SILVER (Ref # 41080) | 41080-1128 | 1 |
| PISTON-COMP-BRAKE (Ref # 43020) | 43020-1096 | 1 |
| CALIPER-ASSY,RR (Ref # 43041A) | 43041-1617 | 1 |
| SHAFT-CALIPER (Ref # 43045) | 43045-1007 | 1 |
| SHAFT-CALIPER (Ref # 43045A) | 43045-1008 | 1 |
| RING,PISTON SEAL (Ref # 43049) | 43049-002 | 1 |
| BREATHER-BRAKE (Ref # 43056A) | 43056-1054 | 1 |
| CAP-BREATHER (Ref # 43057) | 43057-003 | 1 |
| PAD-ASSY-BRAKE (Ref # 43082) | 43082-1022 | 1 |
| BOOT,PISTON (Ref # 49006) | 49006-1043 | 1 |
| BOOT,SHAFT (Ref # 49006A) | 49006-1044 | 2 |
| BOLT,FLANGED,8X25,BLACK (Ref # 92001) | 92001-1510 | 2 |
| BUSHING,7.8X11X15.7 (Ref # 92028) | 92028-1090 | 1 |
| SPRING,PAD (Ref # 92081) | 92081-1229 | 1 |
| BOLT,SOCKET,8X30 (Ref # 92150) | 92150-1771 | 7 |