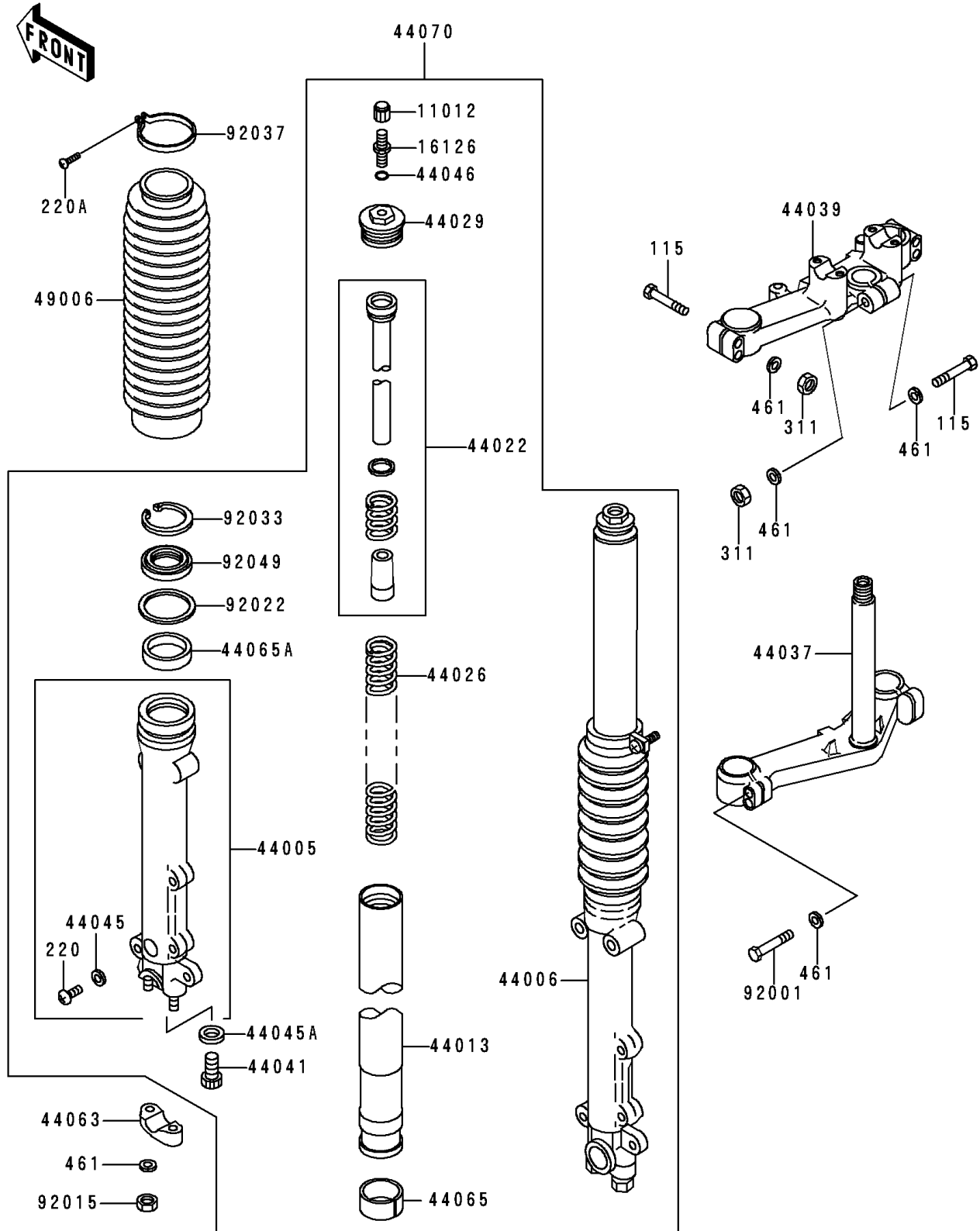


1999 Police 1000 PARTS DIAGRAM

Front Fork

F2340



1999 Police 1000 PARTS LIST

Front Fork

| ITEM NAME | PART NUMBER | QUANTITY |
|--|-------------|----------|
| BOLT-SMALL-UPSET (Ref # 115) | 115G0855 | 5 |
| SCREW-PAN-CROS,4X6 (Ref # 220) | 220B0406 | 2 |
| SCREW-PAN-CROS (Ref # 220A) | 220B0420 | 2 |
| NUT-HEX,8MM (Ref # 311) | 311G0800 | 5 |
| WASHER-SPRING,8MM (Ref # 461) | 461F0800 | 13 |
| CAP,AIR VALVE (Ref # 11012) | 11012-1241 | 2 |
| VALVE,AIR (Ref # 16126) | 16126-1046 | 2 |
| PIPE-LEFT FORK OUTER (Ref # 44005) | 44005-1332 | 1 |
| PIPE-RIGHT FORK OUTER (Ref # 44006) | 44006-1328 | 1 |
| PIPE-FORK INNER (Ref # 44013) | 44013-4002 | 2 |
| CYLINDER-FORK (Ref # 44022) | 44022-1083 | 2 |
| SPRING-FRONT FORK (Ref # 44026) | 44026-1312 | 2 |
| SEAT-FORK SPRING (Ref # 44029) | 44029-4001 | 2 |
| HOLDER-FORK UNDER (Ref # 44037) | 44037-4004 | 1 |
| HOLDER-FORK UPPER (Ref # 44039) | 44039-4007 | 1 |
| BOLT,SOCKET,FORK CYLINDER (Ref # 44041) | 44041-040 | 2 |
| GASKET,FORK DRAIN PLUG (Ref # 44045) | 44045-002 | 2 |
| GASKET (Ref # 44045A) | 44045-057 | 2 |
| RING-O (Ref # 44046) | 44046-017 | 2 |
| HOLDER-FRONT AXLE (Ref # 44063) | 44063-011 | 2 |
| BUSHING-FRONT FORK,INNER PIPE (Ref # 44065) | 44065-1057 | 2 |
| BUSHING-FRONT FORK,OUTER TUBE (Ref # 44065A) | 44065-1091 | 2 |
| DAMPER-ASSY,FORK (Ref # 44070) | 44070-5139 | 1 |
| BOOT,FORK,BLACK (Ref # 49006) | 49006-1079 | 2 |
| BOLT,8X38 (Ref # 92001) | 92001-1700 | 4 |
| NUT,LOCK,8MM (Ref # 92015) | 92015-1390 | 4 |
| WASHER,FORK OUTER PIPE (Ref # 92022) | 92022-1262 | 2 |
| RING-SNAP,FORK (Ref # 92033) | 92033-1047 | 2 |
| CLAMP,FORK BOOTS (Ref # 92037) | 92037-1024 | 2 |

1999 Police 1000 PARTS LIST

Front Fork

| ITEM NAME | PART NUMBER | QUANTITY |
|-----------------------------|-------------|----------|
| SEAL-OIL,FORK (Ref # 92049) | 92049-1178 | 2 |